

**PROFESSIONAL FLOOR
PROTECTION PRODUCTS**



Furniture is an integral part of our lives, providing comfort, functionality, and aesthetics to our living spaces. However, furniture can be subject to wear and tear, which is why it's essential to consider ways to protect and extend the lifespan of your valuable pieces. One effective method to safeguard your furniture is by using **PTFE (Polytetrafluoroethylene)** buffers. In this writeup, we will explore the benefits and applications of PTFE buffers for furniture.

What is PTFE?

PTFE is a synthetic polymer known for its remarkable non-stick properties and resistance to heat, chemicals, and abrasion. It is often used in various industries, including furniture manufacturing, due to its outstanding properties and versatility.

Benefits of PTFE Buffers for Furniture:

Surface Protection: PTFE buffers provide a cushioning layer that effectively protects furniture surfaces from scratches, scuffs, and marks. They act as a barrier between the furniture and potentially damaging objects, ensuring the longevity of your investment.

Noise Reduction: Furniture movement, such as chairs scraping against the floor, can create unpleasant noise. PTFE buffers reduce friction, dampen sound, and prevent the development of noise-related issues in high-traffic areas.

Slip Resistance: PTFE is known for its low coefficient of friction, which helps furniture glide smoothly without exerting excessive force. This slip-resistant quality is especially beneficial for sliding drawers, cabinet doors, and other moving furniture parts.

Durability: PTFE is highly durable and resistant to wear and tear, making it an ideal material for long-lasting furniture protection. PTFE buffers maintain their integrity even after years of use, ensuring that your furniture continues to look and function like new.

Chemical Resistance: PTFE is impervious to most chemicals, including common household cleaners. This resistance ensures that PTFE buffers won't degrade when exposed to cleaning agents, extending the life of your furniture.

Applications of PTFE Buffers in Furniture:

Chair and Table Legs: Attach PTFE buffers to the legs of chairs and tables to protect floors from scratches and reduce noise when moving furniture.

Drawer Slides: PTFE buffers can be used on drawer slides to ensure smooth and silent operation, preventing wear and tear on both the drawer and the furniture frame.

Cabinet Doors: Apply PTFE buffers to cabinet doors to prevent them from slamming shut and to reduce noise in the kitchen or bathroom.

Sofa Feet: Place PTFE buffers under sofa feet to protect hardwood floors and make it easier to rearrange the furniture without straining or damaging the floor.

Glass Tabletops: When using glass tabletops, PTFE buffers can be used to prevent them from coming into direct contact with the table frame, reducing the risk of chips, cracks, or scratches.

INDEX

S.NO.	PICTURE	PART NAME	PART CODE	SIZES	PAGE NO.
1		PTFE GLIDE SQUARE SCREW	SS-5050	SQ. 50 x 50 x 5MM	2
		PTFE GLIDE SQUARE SCREW	SS-2525	SQ. 25 x 25 x 5MM	
2		PTFE GLIDE SQUARE NAIL	SN-2424	SQ. 24 x 24 x 5MM	4
		PTFE GLIDE ROUND NAIL	RN-3000	DIA 30 x 5MM	
		PTFE GLIDE ROUND NAIL	RN-1900	DIA 19 x 5MM	
3		PTFE GLIDE SQUARE ADHESIVE	SA-4040	SQ. 40 x 40 x 6MM	6
		PTFE GLIDE SQUARE ADHESIVE	SA-3030	SQ. 30 x 30 x 7MM	
		PTFE GLIDE SQUARE ADHESIVE	SA-2020	SQ. 20 x 20 x 7MM	
4		PTFE GLIDE ROUND ADHESIVE	RA-4000	DIA 40 x 5MM	8
		PTFE GLIDE ROUND ADHESIVE	RA-3000	DIA 30 x 5MM	
		PTFE GLIDE ROUND ADHESIVE	RA-1900	DIA 19 x 6MM	
5		PTFE GLIDE OVAL ADHESIVE	OA-1626	OV. 16 x 26 x 6MM	10
		PTFE GLIDE RECTANGLE ADHESIVE	RA-1970	REC. 19 x 70 x 6MM	

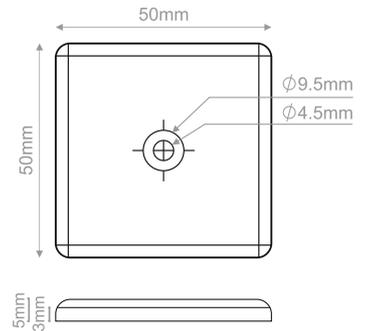
PTFE GLIDE SQ. SCREW

Each of our screw are manufactured using a premium quality PTFE and come with a steel washer inside the base as standard to provide strength and longevity. Also known as PTFE Glide Square Screw, these are most frequently used with wooden furniture or chairs, however they can be drilled into almost anything that will allow the drill inside. Screw Glides are often used inside facilities such as Hotels & Restaurants for ease of movement and to prevent frequent and unnecessary damage to the flooring or furniture that they are placed on.



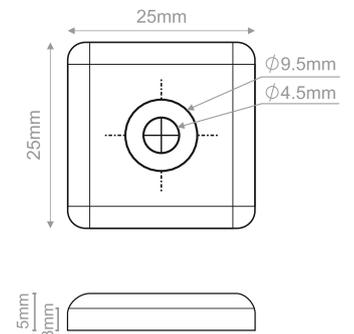
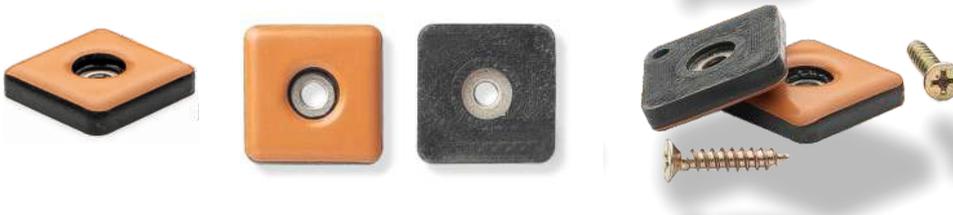
PART CODE : SS-5050

(Sq. 50x50x5mm)



PART CODE : SS-2525

(Sq. 25x25x5mm)



★ Specially for heavy duty uses on Carpet.

Product Features

- ✓ Manufactured from a premium PTFE.
- ✓ Reinforced steel washer base.
- ✓ Screw insert thicker or thinner wooden legs.
- ✓ Ideal for heavy or moderate furniture.

USAGE

Sofa with Wooden Legs



Armchair with Wooden Legs



Lounge Chair with Wooden Legs



Dining Table with Wooden Legs



Center and Side Table
with Wooden Legs



Miscellaneous Products
with Wooden Legs



★ Product can be installed on existing or new furniture.

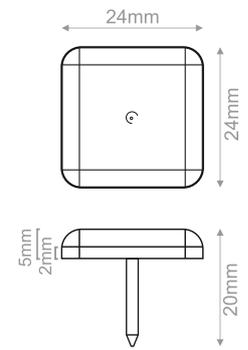
PTFE GLIDE SQ., ROUND NAIL

Manufactured from a high quality PTFE Glides square and round nail are renowned for their ease of installation and excellent 'gliding' properties. Compatible with all types of wooden furniture, appliances or objects. These are complete with a steel nail which ensures a quick and stress free fitting to your application. Commonly used inside households and industrial settings to move heavy furniture quickly and quietly, these are an extremely popular form of glide, coming with a square and round finish to spread weight.



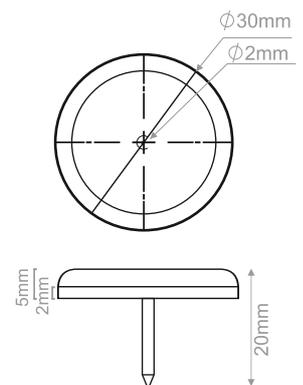
PART CODE : SN-2424

(Sq. 24x24x5mm)



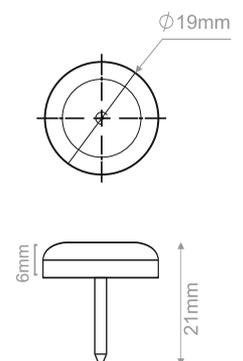
PART CODE : RN-3000

(Dia 30x5mm)



PART CODE : RN-1900

(DIA 19 x 5mm)



Product Features

- ✓ Manufactured from a premium PTFE.
- ✓ Perfect for all flooring types.
- ✓ Used on thinner wooden legs of furniture.
- ✓ To reduce noise when furniture dragged across a floor.

USAGE

Chair with Wooden Legs



Armchair with Wooden Legs



Dining Chair with Wooden Legs



Center Table with Wooden Legs



Center and Side Table
with Wooden Legs



Sofa with Wooden Legs



★ Product can be installed on existing or new furniture.

PTFE GLIDE SQ. ADHESIVE

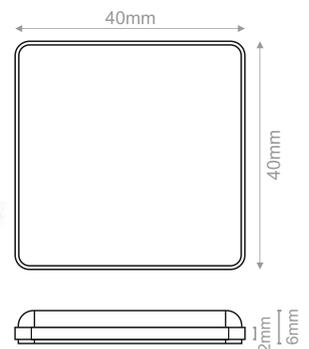
Our selection of PTFE Adhesive Glide are manufactured from a high quality PTFE paired with a strong **SELF ADHESIVE BACKING**. Ensure surfaces are thoroughly clean and dry before a fixing. Compatible with all types of Metal & Stainless Steel furniture, appliances or objects. Ultra-low friction resistance for effortless move application across both smooth or abrasive surfaces.

★ Specially for very low movement products.



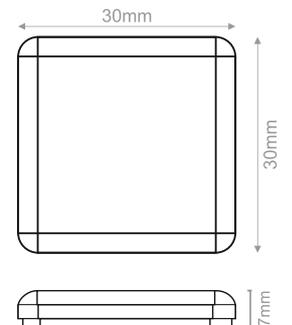
PART CODE : SA-4040

(Sq. 40x40x6mm)



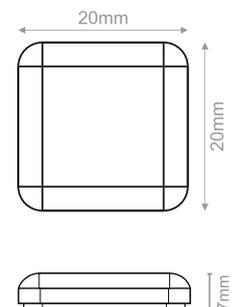
PART CODE : SA-3030

(Sq. 30x30x7mm)



PART CODE : SA-2020

(Sq. 20x20x7mm)



Product Features

- ✓ Manufactured from a premium PTFE.
- ✓ Strong and reliable adhesive backing.
- ✓ Available in a variety of shapes.
- ✓ Helps furniture glide across a floor / surface.

USAGE

Sofa with Metal Legs
or Wooden Legs



Armchair with Metal Legs
or Wooden Legs



Lounge Chair with Metal Legs
or Wooden Legs



Dining Table with Metal Legs
or Wooden Legs



Center and Side Table with
Metal Legs or Wooden Legs



Miscellaneous Products with
Metal Legs or Wooden Legs



- ★ Not meant for frequent shifting or moving furniture
- ★ Product can be installed on existing or new furniture

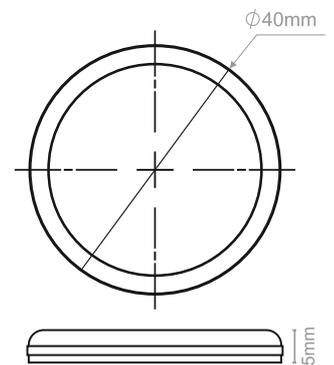
PTFE GLIDE ROUND ADHESIVE

Our selection of PTFE Adhesive Glide are manufactured from a high quality PTFE paired with a strong **SELF ADHESIVE BACKING**. Ensure surfaces are thoroughly clean and dry before a fixing. Compatible with all types of Metal & Stainless Steel furniture, appliances or objects. Ultra-low friction resistance for effortless move application across both smooth or abrasive surfaces.



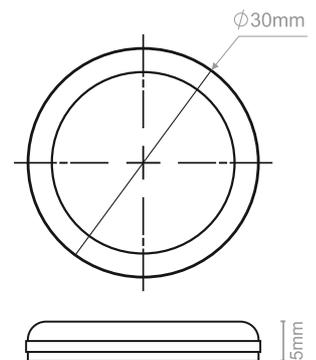
PART CODE : RA-4000

(Dia 40x5mm)



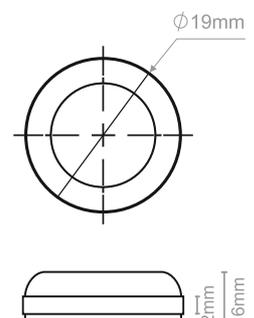
PART CODE : RA-3000

(Dia 30x5mm)



PART CODE : RA-1900

(Dia 19x6mm)



Product Features

- ✓ Manufactured from a premium PTFE.
- ✓ Strong and reliable adhesive backing.
- ✓ Available in a variety of shapes.
- ✓ Helps furniture glide across a floor / surface.

USAGE

Sofa with Metal Legs
or Wooden Legs



Armchair with Metal Legs
or Wooden Legs



Lounge Chair with Metal Legs
or Wooden Legs



Dining Table with Metal Legs
or Wooden Legs



Center and Side Table with
Metal Legs or Wooden Legs



Miscellaneous Products with
Metal Legs or Wooden Legs



- ★ Not meant for frequent shifting or moving furniture
- ★ Product can be installed on existing or new furniture

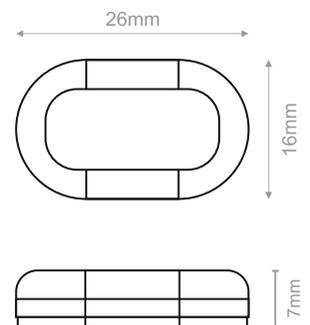
PTFE GLIDE OVAL, RECTANGLE ADHESIVE

Our selection of PTFE Adhesive Glide are manufactured from a high quality PTFE paired with a strong **SELF ADHESIVE BACKING**. Ensure surfaces are thoroughly clean and dry before a fixing. Compatible with all types of Metal & Stainless Steel furniture, appliances or objects. Ultra-low friction resistance for effortless move application across both smooth or abrasive surfaces.



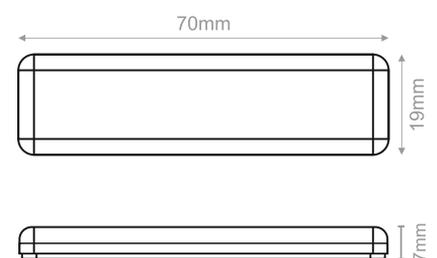
PART CODE : OA-1626

(Oval 16x26x7mm)



PART CODE : RA-1970

(Rectangle 19x70x7mm)



Product Features

- ✓ Manufactured from a premium PTFE.
- ✓ Strong and reliable adhesive backing.
- ✓ Available in a variety of shapes.
- ✓ Helps furniture glide across a floor / surface.

USAGE

Sofa with Metal Legs
or Wooden Legs



Armchair with Metal Legs
or Wooden Legs



Lounge Chair with Metal Legs
or Wooden Legs



Dining Table with Metal Legs
or Wooden Legs



Center and Side Table with
Metal Legs or Wooden Legs



Miscellaneous Products with
Metal Legs or Wooden Legs



- ★ Not meant for frequent shifting or moving furniture
- ★ Product can be installed on existing or new furniture

COMPATIBLE FOR ALL TYPE OF FLOORS



MARBLE FLOOR



VINIFIED TILE



WOODEN FLOOR



CARPET

WHY CHOOSE PTFE GLIDES ?



NO MORE BACK BREAKING LIFTING OF HEAVY FURNITURE, TABLES AND CHAIRS.



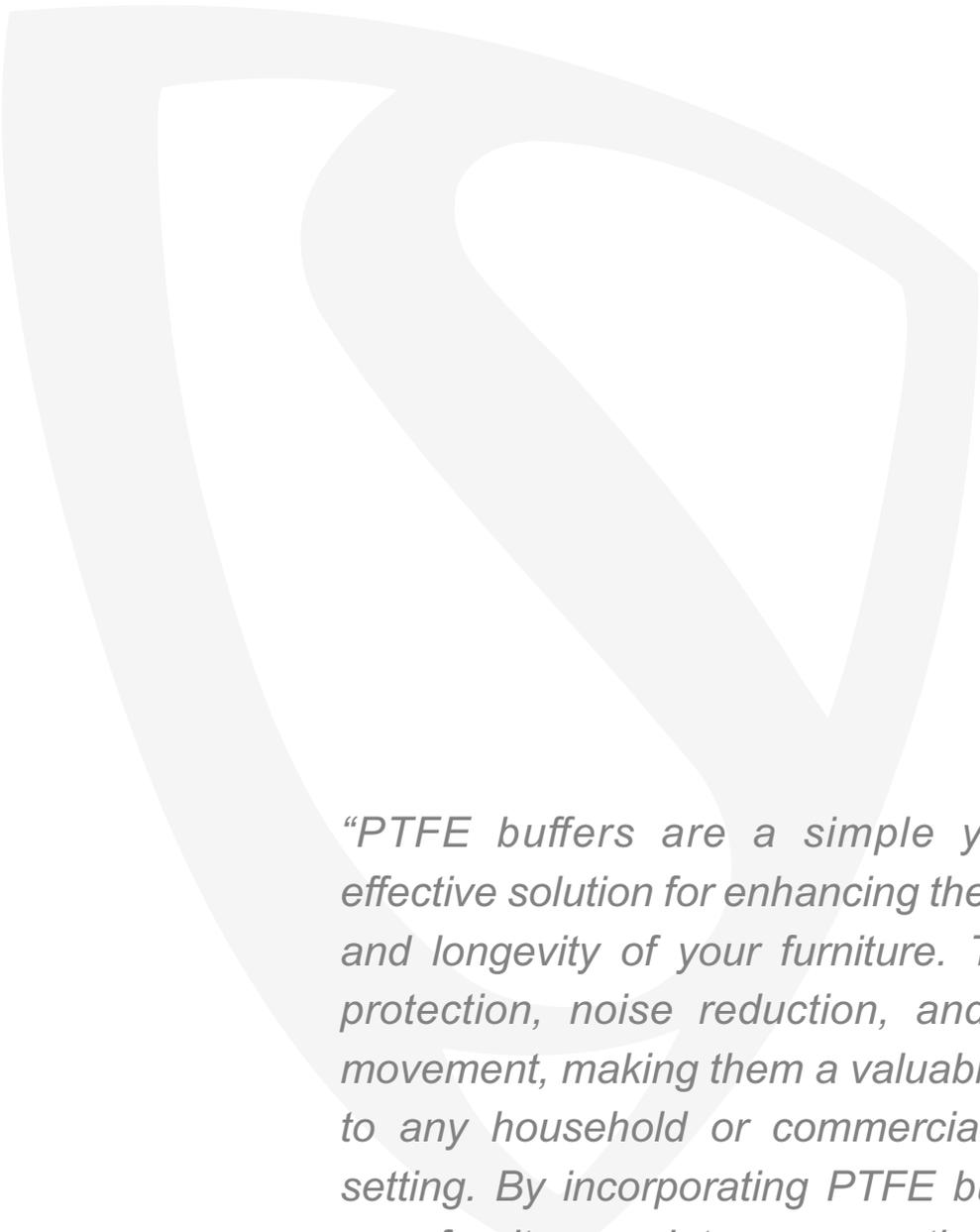
NO MORE STRUGGLING TO PUSH OR SLIDE HEAVY FURNITURE INTO POSITION.



NO MORE TIRESOME SCRUBBING OF DIRTY SCUFF MARKS AND SCRATCHES.



SIT BACK AND RELAX WHILE YOUR FURNITURE STAYS IN POSITION.



“PTFE buffers are a simple yet highly effective solution for enhancing the durability and longevity of your furniture. They offer protection, noise reduction, and ease of movement, making them a valuable addition to any household or commercial furniture setting. By incorporating PTFE buffers into your furniture maintenance routine, you can enjoy your furniture for years to come while minimizing the need for repairs and replacements.”



Shearling Skins Pvt. Ltd.

Plot No. 84, Sector-8,

IMT Manesar,

Gurgaon-122052,

Haryana, (INDIA)

Ph.: +91 124 4037237, info@shearling.in

www.shearling.in