

Commitment to the environment

Every Shearling product reflects our strong commitment to environment protection. All products confirm to Euro II norms and are free from AZO and PCP contents.



Shearling is a technical joint venture with F.lli Rossetto Italy. Specializing in design and furnishing of Modern Office Environments, Hotels and Restaurant, Airports, Hospitals and Educational Institution.

At Shearling we focus on cutting edge technology for production, were the engineering and care for detail has always been followed at every stage.





































A constant attention is paid to development of innovative and often revolutionary products, a natural capability to new office trends. There is a great connect between the quality of material used which makes a big difference to the end product.








Today Shearling is the result of heritage built over time by consolidating technical know how and strong values.

We offer the market products that synthesize the best of raw materials and are in line with todays environmental requirements. Further more Shearling is also able to support Contractors & Designers assisting them in their professional needs.



TABLES


S. No.	PRODUCTS NAME	PICTURES					PAGE No.
1	DT1 Stainless Steel Base Tables	 CENTER TABLE	 SIDE TABLE	 MEETING TABLE	 2 BASE MEETING TABLE	 TALL TABLE	7
2	DT2 Painted Mild Steel Base Tables	 CENTER TABLE	 SIDE TABLE	 MEETING TABLE	 2 BASE MEETING TABLE	 TALL TABLE	11
3	ST1 Stainless Steel Base Tables	 CENTER TABLE	 SIDE TABLE	 MEETING TABLE	 2 BASE MEETING TABLE	 TALL TABLE	15
4	ST2 Painted Mild Steel Base Tables	 CENTER TABLE	 SIDE TABLE	 MEETING TABLE	 2 BASE MEETING TABLE	 TALL TABLE	19
5	RT1 Stainless Steel Base Tables	 CENTER TABLE	 SIDE TABLE	 MEETING TABLE	 2 BASE MEETING TABLE	 TALL TABLE	23
6	RT2 Painted Mild Steel Base Tables	 CENTER TABLE	 SIDE TABLE	 MEETING TABLE	 2 BASE MEETING TABLE	 TALL TABLE	27
7	RT15 Stainless Steel Base Tables	 CENTER TABLE	 SIDE TABLE	 MEETING TABLE			31
8	RT16 Painted Mild Steel Base Tables	 CENTER TABLE	 SIDE TABLE	 MEETING TABLE			35

S. No.	PRODUCTS NAME	PICTURES	PAGE No.
9	LT3 Wooden Base	   <p>CENTER TABLE SIDE TABLE MEETING TABLE</p>	39
10	LT4 SS Support with Wooden Base	    <p>CENTER TABLE SIDE TABLE MEETING TABLE MEETING TABLE</p>	43
11	CURVE Occasional Tables	     <p>CENTER TABLE CENTER TABLE (Off Center) SIDE TABLE (Off Center) SIDE TABLE (Centric) MEETING TABLE</p>	47
12	IBZ SS/MS Occasional Tables	   <p>CENTER TABLE SIDE TABLE MEETING TABLE</p>	51
13	WL Occasional Tables	  <p>CENTER TABLE SIDE TABLE</p>	55
14	BUTTON Occasional Tables	   <p>CENTER TABLE CENTER TABLE SIDE TABLE</p>	59
15	IBS SS/MS Occasional Tables	   <p>CENTER TABLE CENTER TABLE SIDE TABLE</p>	63
16	HAIRPIN Occasional Tables	    <p>CENTER TABLE SIDE TABLE MEETING TABLE MEETING TABLE</p>	67

TABLES

S. No.	PRODUCTS NAME	PICTURES	PAGE No.
17	ARENA Occasional Tables	 <p>CENTER TABLE CENTER TABLE SIDE TABLE</p>	71
18	MASHROOM Occasional Tables	 <p>CENTER TABLE SIDE TABLE MEETING TABLE</p>	75
19	OASIS Occasional Tables	 <p>CENTER TABLE SIDE TABLE MEETING TABLE</p>	79
20	MONTIS Occasional Tables	 <p>CENTER TABLE CENTER TABLE SIDE TABLE</p>	83
21	BLANCH Occasional Tables	 <p>CENTER TABLE CENTER TABLE SIDE TABLE SIDE TABLE SIDE TABLE</p>	87
22	ALIA Occasional Tables	 <p>CENTER TABLE CENTER TABLE SIDE TABLE</p>	91
23	ANVIL SS/MS Occasional Tables	 <p>CENTER TABLE SIDE TABLE MEETING TABLE</p>	95
24	ELEMENT Occasional Tables	 <p>MEETING TABLE</p>	99

TABLES

S. No.	PRODUCTS NAME	PICTURES	PAGE No.
25	SWITCH Occasional Tables	 MEETING TABLE	103

DT1

STAINLESS STEEL BASE TABLES



Standard Product Information

Tops : Veneer, Laminate, Lacquered Glass, & Acrylic.

Structural Frame : Mild Steel and Stainless Steel integrally moulded.

Edge Detail : Flat edge, Knife edge, Glass overhang & Acrylic overhang.

Base : Chrome Column on Stainless Steel Spin formed edge.



Product Information

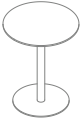
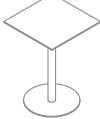



Its simple column and disc foot can be used either at work or occasional table height, combined with either a solid or glass top that is bonded to the column. Simplicity and adaptability means that it can be used almost universally, suiting your requirements.

Specification


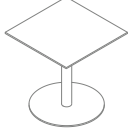
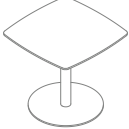
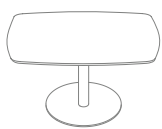

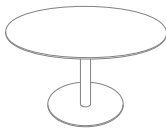
Base in anti corrosion Mild Steel with Stainless Steel top circular plate (spin formed) with thick column pipe, top plate has options to mounts Glass, Veneer, Laminate or Acrylic tops. Base joint to the column with a scratch resistant felt and philip head screws.

Product Range


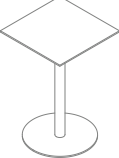



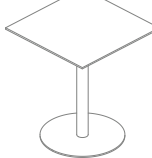

Side Table

DIA	SQUARE	CURVED SQUARE	CURVED RECTANGULAR	CURVED TRIANGULAR
				
TOP - 400/500mm HEIGHT - 450/500mm BASE - 315mm	TOP - 400/500mm HEIGHT - 450/500mm BASE - 315mm	TOP - 400/500mm HEIGHT - 450/500mm BASE - 315mm	TOP - 500x400mm HEIGHT - 450/500mm BASE - 315mm	TOP - 600mm HEIGHT - 450/500mm BASE - 315mm

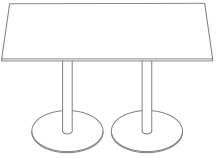
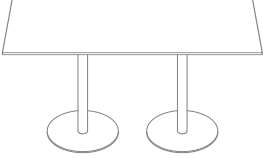
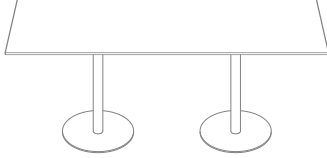
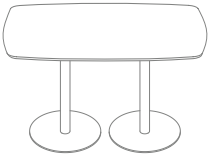
Center Table

DIA	SQUARE	CURVED SQUARE	CURVED RECTANGULAR	CURVED TRIANGULAR	OVAL
					
TOP - 600/800mm HEIGHT - 400/450mm BASE - 475mm	TOP - 600/800mm HEIGHT - 400/450mm BASE - 475mm	TOP - 600/800mm HEIGHT - 400/450mm BASE - 475mm	TOP - 900x600mm HEIGHT - 400/450mm BASE - 475mm	TOP - 900mm HEIGHT - 400/450mm BASE - 475mm	TOP - 900x600mm HEIGHT - 400/450mm BASE - 475mm

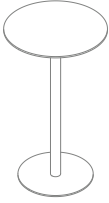
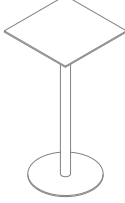
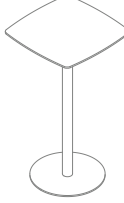


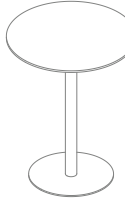
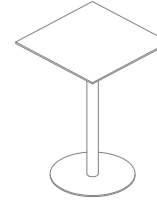

Meeting/Dining Table

DIA	SQUARE	CURVED SQUARE	CURVED TRIANGULAR	DIA	SQUARE	CURVED SQUARE
						
TOP - 800/1000mm HEIGHT - 750mm BASE - 475mm	TOP - 800/1000mm HEIGHT - 750mm BASE - 475mm	TOP - 800/1000mm HEIGHT - 750mm BASE - 475mm	TOP - 1000mm HEIGHT - 750mm BASE - 475mm	TOP - 1200mm HEIGHT - 750mm BASE - 600mm	TOP - 1200mm HEIGHT - 750mm BASE - 600mm	TOP - 1200mm HEIGHT - 750mm BASE - 600mm

2 Base Meeting/ Café Table

RECTANGULAR	RECTANGULAR	RECTANGULAR	CURVED RECTANGULAR
			
TOP - 1200x800mm, HEIGHT - 750mm BASE - 475mm x 2pcs.	TOP - 1500x800mm, HEIGHT - 750mm BASE - 475mm x 2pcs.	TOP - 1800x800mm, HEIGHT - 750mm BASE - 475mm x 2pcs.	TOP - 1200/1500/1800x800mm, HEIGHT - 750mm BASE - 475mm x 2pcs.

Tall Table

DIA	SQUARE	CURVED SQUARE	CURVED TRIANGULAR	CURVED RECTANGULAR	DIA	SQUARE	CURVED SQUARE
							
TOP - 600mm HEIGHT - 1050mm BASE - 475mm	TOP - 600mm HEIGHT - 1050mm BASE - 475mm	TOP - 600mm HEIGHT - 1050mm BASE - 475mm	TOP - 700mm HEIGHT - 1050mm BASE - 475mm	TOP - 700x600mm HEIGHT - 1050mm BASE - 475mm	TOP - 800mm HEIGHT - 1050mm BASE - 600mm	TOP - 800mm HEIGHT - 1050mm BASE - 600mm	TOP - 800mm HEIGHT - 1050mm BASE - 600mm

To match lacquered glass colours refer material catalogue.

*Tall table has thicker base plate for stability.

*Heavy duty base to accommodate top of 1200mm

Table Finishes

Edge Details

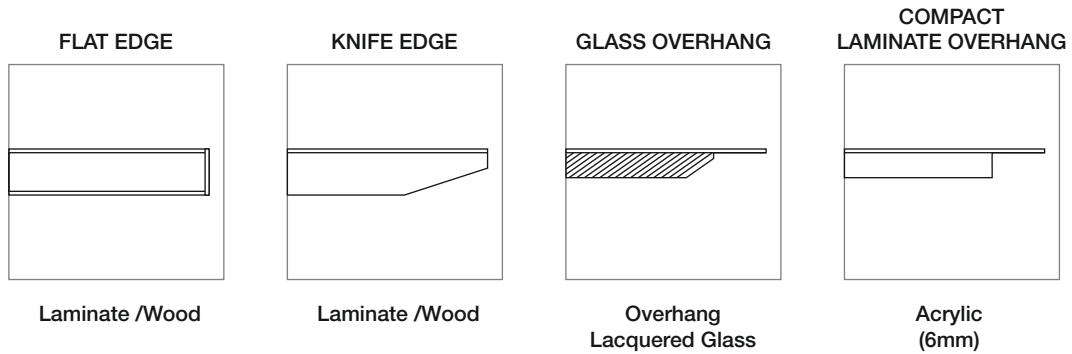
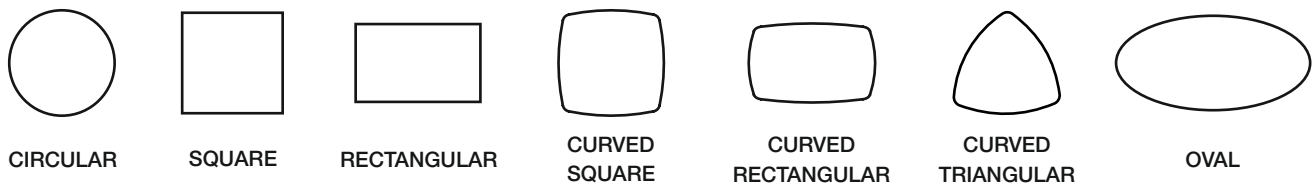


Table Top Options



Laminate



Wood / Veneer



Lacquered Glass



DT2

PAINTED MILD STEEL BASE TABLES



CENTER TABLE

SIDE TABLE

MEETING/DINING TABLE

TALL TABLE



2 BASE MEETING/CAFÉ TABLE



2 BASE MEETING/CAFÉ TABLE

Standard Product Information

Tops : Veneer, Laminate, Lacquered Glass, & Acrylic.

Structural Frame : Calibrated Mild Steel Pipe with MS dual coated base.

Edge Detail : Flat edge, Knife edge, Glass overhang & Acrylic overhang.

Base : Mild Steel available in 12 colours.



Product Information


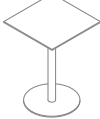



Its simple column and disc foot can be used either at work or occasional table height, combined with either a solid or glass top that is bonded to the column. Simplicity and adaptability means that it can be used almost universally, suiting your requirements.

Specification


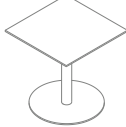
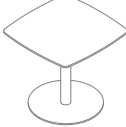
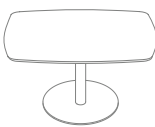


Base in anti corrosion calibrated Mild Steel, with thick column, top plate has options to mounts Glass, Veneer, Laminate or Acrylic tops. Base joint to the column with a scratch resistant felt and philip head screws.

Product Range


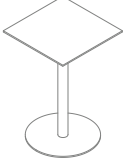



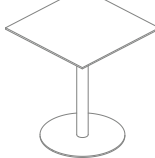

Side Table

DIA	SQUARE	CURVED SQUARE	CURVED RECTANGULAR	CURVED TRIANGULAR
				
TOP - 400/500mm HEIGHT - 450/500mm BASE - 300mm	TOP - 400/500mm HEIGHT - 450/500mm BASE - 300mm	TOP - 400/500mm HEIGHT - 450/500mm BASE - 300mm	TOP - 500x400mm HEIGHT - 450/500mm BASE - 300mm	TOP - 600mm HEIGHT - 450/500mm BASE - 300mm

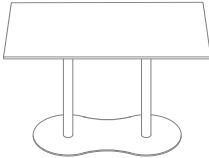
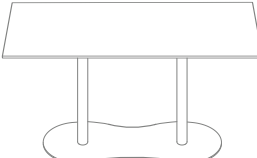
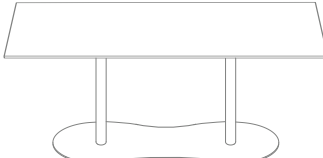

Center Table

DIA	SQUARE	CURVED SQUARE	CURVED RECTANGULAR	CURVED TRIANGULAR	OVAL
					
TOP - 600/800mm HEIGHT - 400/450mm BASE - 460mm	TOP - 600/800mm HEIGHT - 400/450mm BASE - 460mm	TOP - 600/800mm HEIGHT - 400/450mm BASE - 460mm	TOP - 900x600mm HEIGHT - 400/450mm BASE - 460mm	TOP - 900mm HEIGHT - 400/450mm BASE - 460mm	TOP - 900x600mm HEIGHT - 400/450mm BASE - 460mm

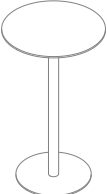
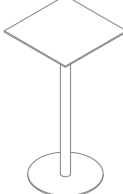
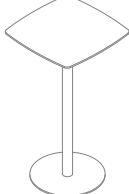



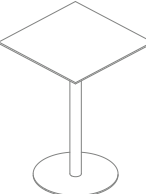
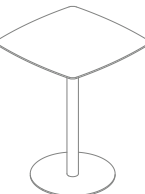
Meeting/Dining Table

DIA	SQUARE	CURVED SQUARE	CURVED TRIANGULAR	DIA	SQUARE	CURVED SQUARE
						
TOP - 800/1000mm HEIGHT - 750mm BASE - 460mm	TOP - 800/1000mm HEIGHT - 750mm BASE - 460mm	TOP - 800/1000mm HEIGHT - 750mm BASE - 460mm	TOP - 1000mm HEIGHT - 750mm BASE - 460mm	TOP - 1200mm HEIGHT - 750mm BASE - 600mm	TOP - 1200mm HEIGHT - 750mm BASE - 600mm	TOP - 1200mm HEIGHT - 750mm BASE - 600mm

2 Base Meeting/ Café Table

RECTANGULAR	RECTANGULAR	RECTANGULAR	CURVED RECTANGULAR
			
TOP - 1200x800mm, HEIGHT - 750mm BASE - 900x400mm	TOP - 1500x800mm, HEIGHT - 750mm BASE - 1000x400mm	TOP - 1800x800mm, HEIGHT - 750mm BASE - 1200x400mm	TOP - 1200/1500/1800x800mm, HEIGHT - 750mm BASE - 900x400mm

Tall Table

DIA	SQUARE	CURVED SQUARE	CURVED TRIANGULAR	CURVED RECTANGULAR	DIA	SQUARE	CURVED SQUARE
							
TOP - 600mm HEIGHT - 1050mm BASE - 460mm	TOP - 600mm HEIGHT - 1050mm BASE - 460mm	TOP - 600mm HEIGHT - 1050mm BASE - 460mm	TOP - 700mm HEIGHT - 1050mm BASE - 460mm	TOP - 700x600mm HEIGHT - 1050mm BASE - 460mm	TOP - 800mm HEIGHT - 1050mm BASE - 600mm	TOP - 800mm HEIGHT - 1050mm BASE - 600mm	TOP - 800mm HEIGHT - 1050mm BASE - 600mm

To match lacquered glass colours refer material catalogue.

*Tall table has thicker base plate for stability.

*Heavy duty base to accommodate top of 1200mm

Table Finishes

Edge Details

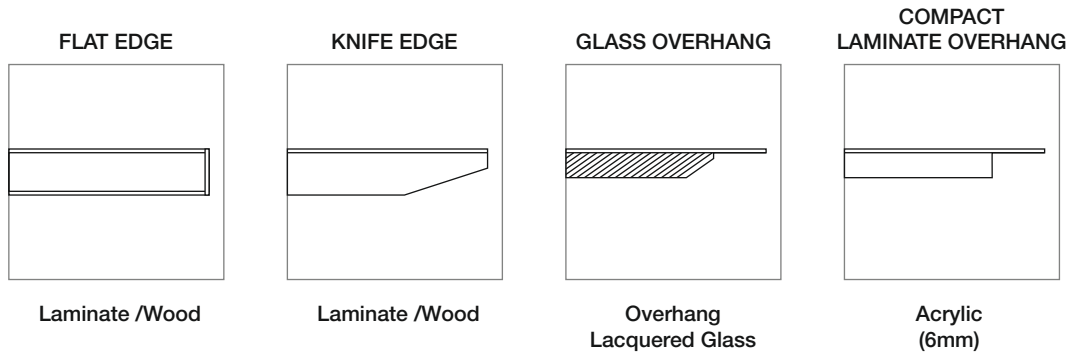
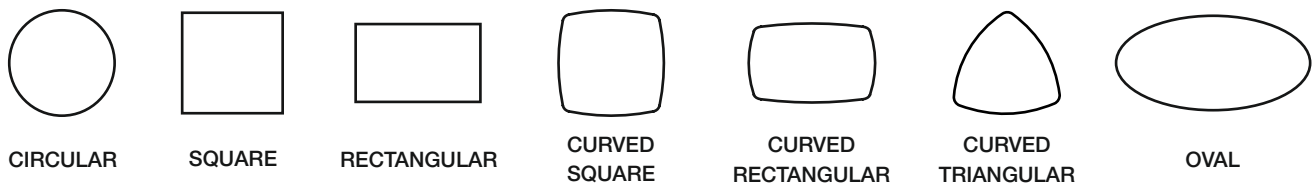


Table Top Options



Laminate



Wood / Veneer



Lacquered Glass



ST1

STAINLESS STEEL BASE TABLES



CENTER TABLE

SIDE TABLE

MEETING/DINING TABLE

TALL TABLE

2 BASE MEETING/CAFÉ TABLE

2 BASE MEETING/CAFÉ TABLE

Standard Product Information

Tops : Veneer, Laminate, Lacquered Glass, & Acrylic.

Structural Frame : Mild Steel and Stainless Steel integrally moulded.

Edge Detail : Flat edge, Knife edge, Glass overhang & Acrylic overhang.

Base : Chrome Column on Stainless Steel.



Airport Café Mumbai

Product Information


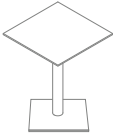
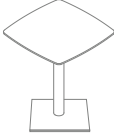


Its simple column and disc foot can be used either at work or occasional table height, combined with either a solid or glass top that is bonded to the column. Simplicity and adaptability means that it can be used almost universally, suiting your requirements.

Specification


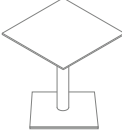
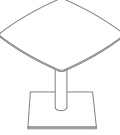
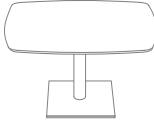

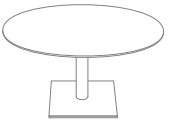
Base in anti corrosion Mild Steel with Stainless Steel top circular plate, with thick Column, top plate has options to mounts Glass, Veneer, Laminate or Acrylic tops. Base joint to the column with a scratch resistant felt and philip head screws.

Product Range


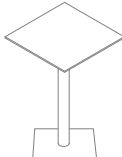
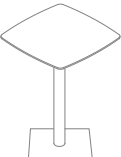


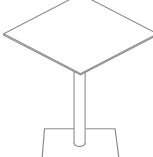
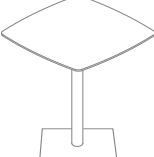
Side Table

DIA	SQUARE	CURVED SQUARE	CURVED RECTANGULAR	CURVED TRIANGULAR
				
TOP - 400/500mm HEIGHT - 450/500mm BASE - 310mm	TOP - 400/500mm HEIGHT - 450/500mm BASE - 310mm	TOP - 400/500mm HEIGHT - 450/500mm BASE - 310mm	TOP - 500x400mm HEIGHT - 450/500mm BASE - 310mm	TOP - 600mm HEIGHT - 450/500mm BASE - 310mm

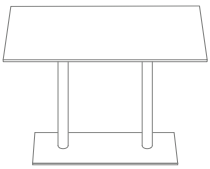
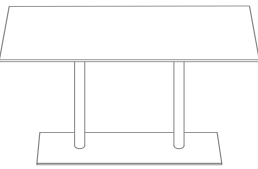
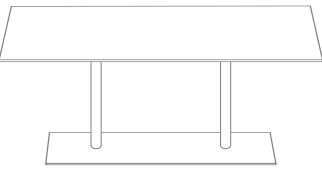
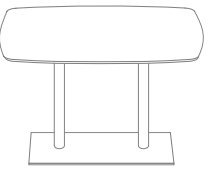
Center Table

DIA	SQUARE	CURVED SQUARE	CURVED RECTANGULAR	CURVED TRIANGULAR	OVAL
					
TOP - 600/800mm HEIGHT - 400/450mm BASE - 400mm	TOP - 600/800mm HEIGHT - 400/450mm BASE - 400mm	TOP - 600/800mm HEIGHT - 400/450mm BASE - 400mm	TOP - 900x600mm HEIGHT - 400/450mm BASE - 400mm	TOP - 900mm HEIGHT - 400/450mm BASE - 400mm	TOP - 900x600mm HEIGHT - 400/450mm BASE - 400mm

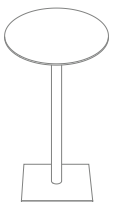
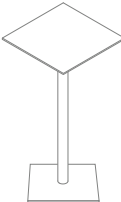
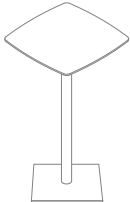


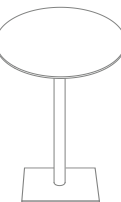
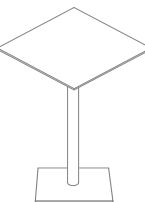
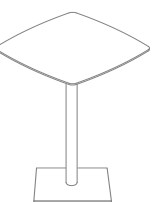
Meeting/Dining Table

DIA	SQUARE	CURVED SQUARE	CURVED TRIANGULAR	DIA	SQUARE	CURVED SQUARE
						
TOP - 800/1000mm HEIGHT - 750mm BASE - 450mm	TOP - 800/1000mm HEIGHT - 750mm BASE - 450mm	TOP - 800/1000mm HEIGHT - 750mm BASE - 450mm	TOP - 1000mm HEIGHT - 750mm BASE - 450mm	TOP - 1200mm HEIGHT - 750mm BASE - 600mm	TOP - 1200mm HEIGHT - 750mm BASE - 600mm	TOP - 1200mm HEIGHT - 750mm BASE - 600mm

2 Base Meeting/ Café Table

RECTANGULAR	RECTANGULAR	RECTANGULAR	CURVED RECTANGULAR
			
TOP - 1200x800mm, HEIGHT - 750mm BASE - 900x400mm	TOP - 1500x800mm, HEIGHT - 750mm BASE - 1000x400mm	TOP - 1800x800mm, HEIGHT - 750mm BASE - 1200x400mm	TOP - 1200/1500/1800x800mm, HEIGHT - 750mm BASE - 900x400mm

Tall Table

DIA	SQUARE	CURVED SQUARE	CURVED TRIANGULAR	CURVED RECTANGULAR	DIA	SQUARE	CURVED SQUARE
							
TOP - 600mm HEIGHT - 1050mm BASE - 450mm	TOP - 600mm HEIGHT - 1050mm BASE - 450mm	TOP - 600mm HEIGHT - 1050mm BASE - 450mm	TOP - 700mm HEIGHT - 1050mm BASE - 450mm	TOP - 700x600mm HEIGHT - 1050mm BASE - 450mm	TOP - 800mm HEIGHT - 1050mm BASE - 600mm	TOP - 800mm HEIGHT - 1050mm BASE - 600mm	TOP - 800mm HEIGHT - 1050mm BASE - 600mm

To match lacquered glass colours refer material catalogue.

*Tall table has thicker base plate for stability.

*Heavy duty base to accommodate top of 1200mm

Table Finishes

Edge Details

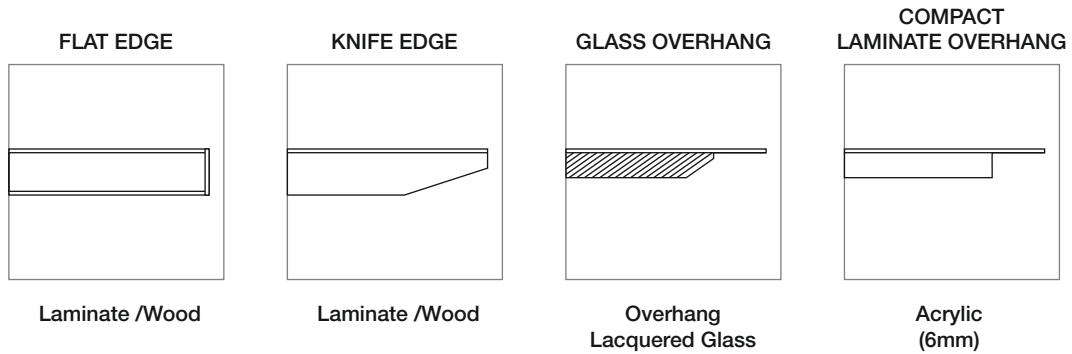
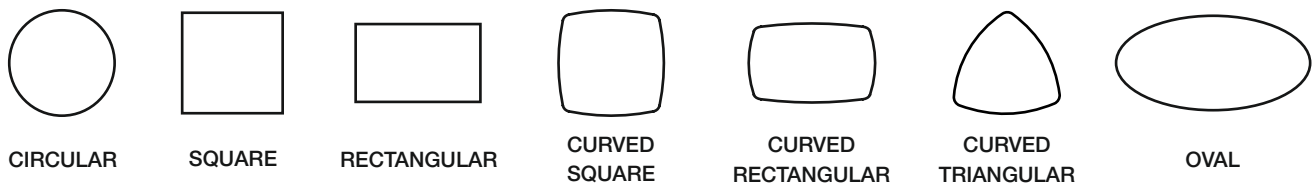


Table Top Options



Laminate



Wood / Veneer



Lacquered Glass



ST2

PAINTED MILD STEEL BASE TABLES



CENTER TABLE



SIDE TABLE



MEETING/DINING TABLE



TALL TABLE



2 BASE MEETING/CAFÉ TABLE



2 BASE MEETING/CAFÉ TABLE

Standard Product Information

Tops : Veneer, Laminate, Lacquered Glass, & Acrylic.

Structural Frame : Calibrated Mild Steel Pipe with MS dual coated base.

Edge Detail : Flat edge, Knife edge, Glass overhang & Acrylic overhang.

Base : Mild Steel available in 12 colours.



Product Information


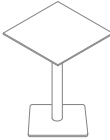
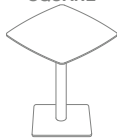


Its simple column and disc foot can be used either at work or Occasional Table Height, combined with either a solid or glass top that is bonded to the column. Simplicity and adaptability means that it can be used almost universally, suiting your requirements.

Specification


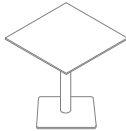
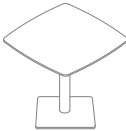
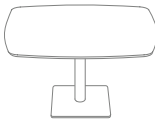

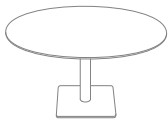
Base in anti corrosion calibrated Mild Steel, with thick column, top plate has options to mounts Glass, Veneer, Laminate or Acrylic tops. Base joint to the column with a scratch resistant felt and philip head screws.

Product Range

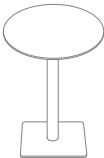
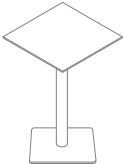
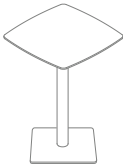


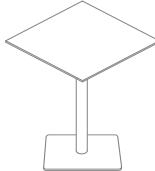
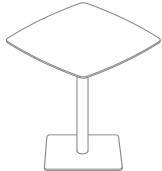
Side Table

DIA	SQUARE	CURVED SQUARE	CURVED RECTANGULAR	CURVED TRIANGULAR
				
TOP - 400/500mm HEIGHT - 450/500mm BASE - 310mm	TOP - 400/500mm HEIGHT - 450/500mm BASE - 310mm	TOP - 400/500mm HEIGHT - 450/500mm BASE - 310mm	TOP - 500x400mm HEIGHT - 450/500mm BASE - 310mm	TOP - 600mm HEIGHT - 450/500mm BASE - 310mm

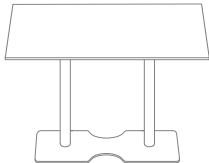
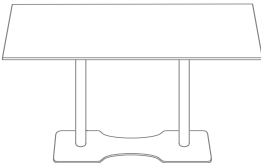
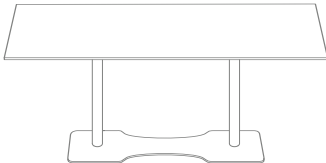
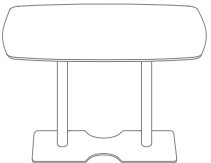
Center Table

DIA	SQUARE	CURVED SQUARE	CURVED RECTANGULAR	CURVED TRIANGULAR	OVAL
					
TOP - 600/800mm HEIGHT - 400/450mm BASE - 400mm	TOP - 600/800mm HEIGHT - 400/450mm BASE - 400mm	TOP - 600/800mm HEIGHT - 400/450mm BASE - 400mm	TOP - 900x600mm HEIGHT - 400/450mm BASE - 400mm	TOP - 900mm HEIGHT - 400/450mm BASE - 400mm	TOP - 900x600mm HEIGHT - 400/450mm BASE - 400mm

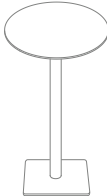
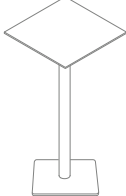
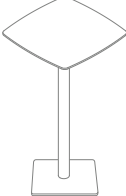


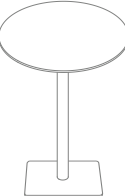
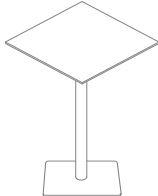
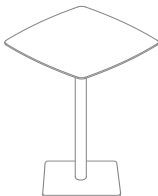
Meeting/Dining Table

DIA	SQUARE	CURVED SQUARE	CURVED TRIANGULAR	DIA	SQUARE	CURVED SQUARE
						
TOP - 800/1000mm HEIGHT - 750mm BASE - 450mm	TOP - 800/1000mm HEIGHT - 750mm BASE - 450mm	TOP - 800/1000mm HEIGHT - 750mm BASE - 450mm	TOP - 1000mm HEIGHT - 750mm BASE - 450mm	TOP - 1200mm HEIGHT - 750mm BASE - 600mm	TOP - 1200mm HEIGHT - 750mm BASE - 600mm	TOP - 1200mm HEIGHT - 750mm BASE - 600mm

2 Base Meeting/ Café Table

RECTANGULAR	RECTANGULAR	RECTANGULAR	CURVED RECTANGULAR
			
TOP - 1200x800mm, HEIGHT - 750mm BASE - 900x400mm	TOP - 1500x800mm, HEIGHT - 750mm BASE - 1000x400mm	TOP - 1800x800mm, HEIGHT - 750mm BASE - 1200x400mm	TOP - 1200/1500/1800x800mm, HEIGHT - 750mm BASE - 900x400mm

Tall Table

DIA	SQUARE	CURVED SQUARE	CURVED TRIANGULAR	CURVED RECTANGULAR	DIA	SQUARE	CURVED SQUARE
							
TOP - 600mm HEIGHT - 1050mm BASE - 450mm	TOP - 600mm HEIGHT - 1050mm BASE - 450mm	TOP - 600mm HEIGHT - 1050mm BASE - 450mm	TOP - 700mm HEIGHT - 1050mm BASE - 450mm	TOP - 700x600mm HEIGHT - 1050mm BASE - 450mm	TOP - 800mm HEIGHT - 1050mm BASE - 600mm	TOP - 800mm HEIGHT - 1050mm BASE - 600mm	TOP - 800mm HEIGHT - 1050mm BASE - 600mm

To match lacquered glass colours refer material catalogue.

*Tall table has thicker base plate for stability.

*Heavy duty base to accommodate top of 1200mm

Table Finishes

Edge Details

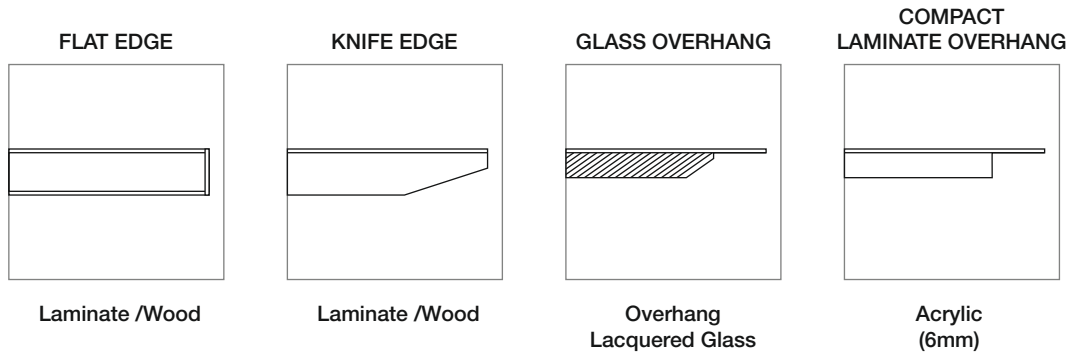
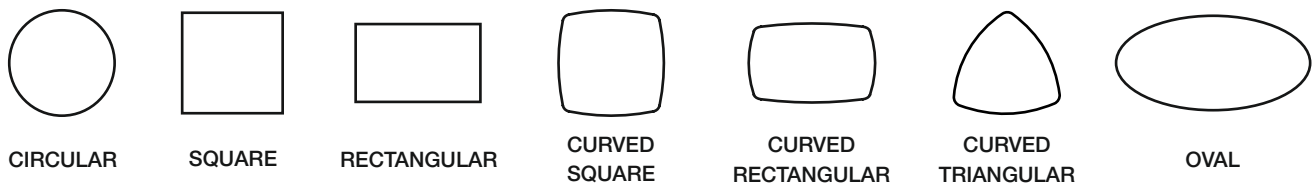


Table Top Options



Laminate



Wood / Veneer



Lacquered Glass



RT1

STAINLESS STEEL BASE TABLES



CENTER TABLE



SIDE TABLE



MEETING/DINING TABLE



TALL TABLE



2 BASE MEETING/CAFÉ TABLE



2 BASE MEETING/CAFÉ TABLE

Standard Product Information

Tops : Veneer, Laminate, Lacquered Glass, & Compact Laminate.

Structural Frame : Mild Steel and Stainless Steel integrally moulded.

Edge Detail : Flat edge, Knife edge, Glass overhang & Compact Laminate overhang.

Base : Chrome Column on Stainless Steel.



Product Information





Stainless Steel lazer cut cross base with feet integrates a column can be used either at work or occasional table combined with Glass, Veneer or Laminates.

Specification


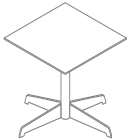
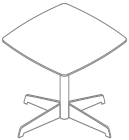


Base in cross 8 mm Stainless Steel with scratch proof feet with thick column, top plate has options to mounts Glass, Veneer, Laminate or Acrylic tops.

Product Range


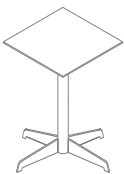


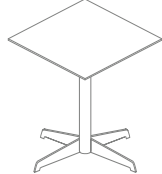

Side Table

DIA 	SQUARE 	CURVED SQUARE 	CURVED RECTANGULAR 
TOP - 400/500mm HEIGHT - 450/500mm BASE - 300x300mm	TOP - 400/500mm HEIGHT - 450/500mm BASE - 300x300mm	TOP - 400/500mm HEIGHT - 450/500mm BASE - 300x300mm	TOP - 500x400mm HEIGHT - 450/500mm BASE - 300x300mm

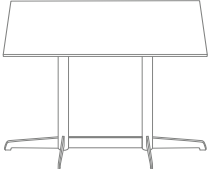
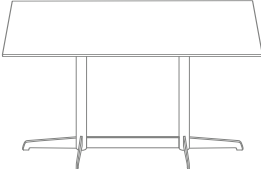

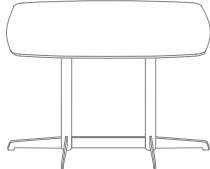
Center Table

DIA 	SQUARE 	CURVED SQUARE 	CURVED RECTANGULAR 	OVAL 
TOP - 600/800mm HEIGHT - 400/450mm BASE - 500x500mm	TOP - 600/800mm HEIGHT - 400/450mm BASE - 500x500mm	TOP - 600/800mm HEIGHT - 400/450mm BASE - 500x500mm	TOP - 900x600mm HEIGHT - 400/450mm BASE - 500x500mm	TOP - 900x600mm HEIGHT - 400/450mm BASE - 500x500mm

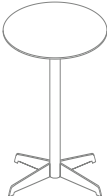
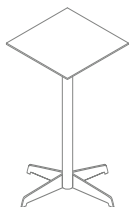
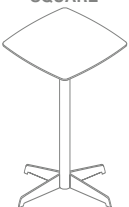

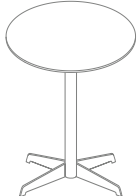
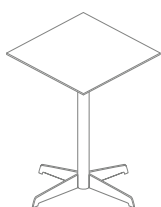
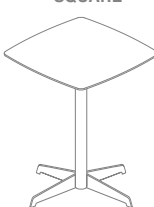
Meeting/Dining Table

DIA 	SQUARE 	CURVED SQUARE 	DIA 	SQUARE 	CURVED SQUARE 
TOP - 800/1000mm HEIGHT - 750mm BASE - 600x600mm	TOP - 800/1000mm HEIGHT - 750mm BASE - 600x600mm	TOP - 800/1000mm HEIGHT - 750mm BASE - 600x600mm	TOP - 1200mm HEIGHT - 750mm BASE - 600x600mm	TOP - 1200mm HEIGHT - 750mm BASE - 600x600mm	TOP - 1200mm HEIGHT - 750mm BASE - 600x600mm

2 Base Meeting/ Café Table

RECTANGULAR 	RECTANGULAR 	RECTANGULAR 	CURVED RECTANGULAR 
TOP - 1200x800mm, HEIGHT - 750mm BASE - 900x500mm	TOP - 1500x800mm, HEIGHT - 750mm BASE - 1000x500mm	TOP - 1800x800mm, HEIGHT - 750mm BASE - 1200x500mm	TOP - 1200/1500/1800x800mm, HEIGHT - 750mm BASE - 900x500mm

Tall Table

DIA 	SQUARE 	CURVED SQUARE 	CURVED RECTANGULAR 	DIA 	SQUARE 	CURVED SQUARE 
TOP - 600mm HEIGHT - 1050mm BASE - 500x500mm	TOP - 600mm HEIGHT - 1050mm BASE - 500x500mm	TOP - 600mm HEIGHT - 1050mm BASE - 500x500mm	TOP - 700x600mm HEIGHT - 1050mm BASE - 500x500mm	TOP - 800mm HEIGHT - 1050mm BASE - 600x600mm	TOP - 800mm HEIGHT - 1050mm BASE - 600x600mm	TOP - 800mm HEIGHT - 1050mm BASE - 600x600mm

To match lacquered glass colours refer material catalogue.

*Tall table has thicker base plate for stability.

*Heavy duty base to accommodate a top of 1200mm

Table Finishes

Edge Details

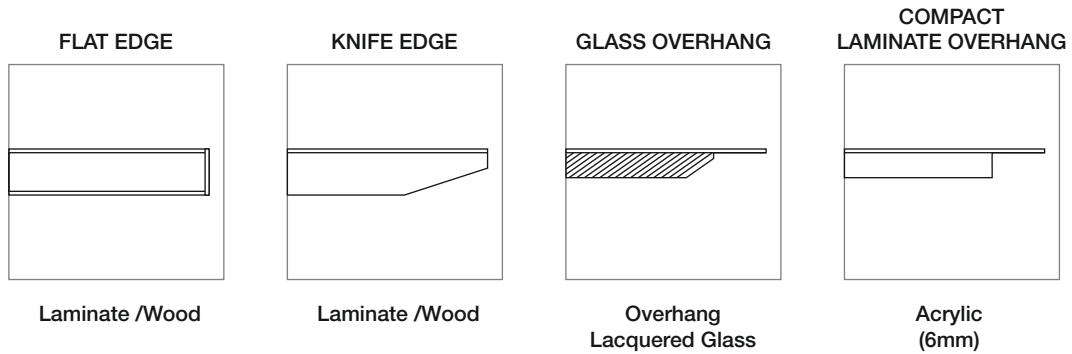
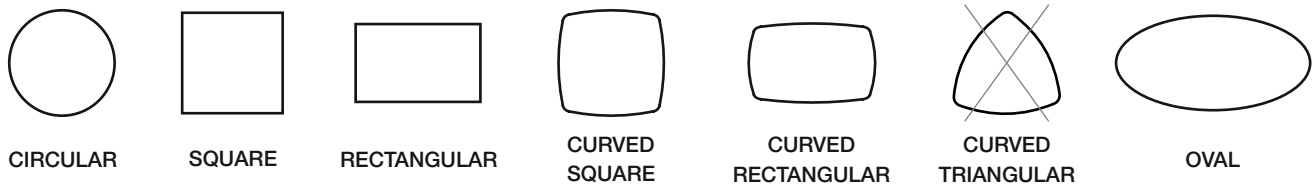


Table Top Options



Laminate



Wood / Veneer



Lacquered Glass



RT2

PAINTED MILD STEEL BASE TABLES



CENTER TABLE



SIDE TABLE



MEETING/DINING TABLE



TALL TABLE



2 BASE MEETING/CAFÉ TABLE



2 BASE MEETING/CAFÉ TABLE

Standard Product Information

Tops : Veneer, Laminate, Lacquered Glass, & Acrylic.

Structural Frame : Calibrated Mild Steel Pipe with MS dual coated base.

Edge Detail : Flat edge, Knife edge, Glass overhang & Acrylic overhang.

Base : Mild Steel available in 12 colours.



Product Information





Calibrated Mild Steel lazer cut cross base with feet integrates a column can be used either at work or occasional table combined with Glass, Veneer or Laminates.

Specification


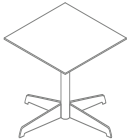
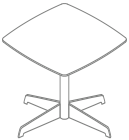


Base in cross 8 mm Mild Steel, with scratch proof feet with thick column, top plate has options to mounts Glass, Veneer, Laminate or Acrylic tops available in 12 colours.

Product Range


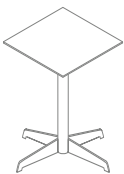


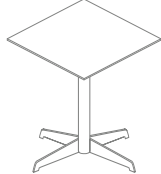

Side Table

DIA 	SQUARE 	CURVED SQUARE 	CURVED RECTANGULAR 
TOP - 400/500mm HEIGHT - 450/500mm BASE - 300x300mm	TOP - 400/500mm HEIGHT - 450/500mm BASE - 300x300mm	TOP - 400/500mm HEIGHT - 450/500mm BASE - 300x300mm	TOP - 500x400mm HEIGHT - 450/500mm BASE - 300x300mm

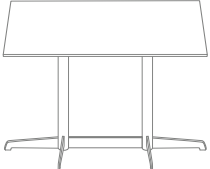
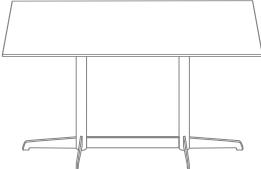

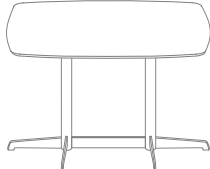
Center Table

DIA 	SQUARE 	CURVED SQUARE 	CURVED RECTANGULAR 	OVAL 
TOP - 600/800mm HEIGHT - 400/450mm BASE - 500x500mm	TOP - 600/800mm HEIGHT - 400/450mm BASE - 500x500mm	TOP - 600/800mm HEIGHT - 400/450mm BASE - 500x500mm	TOP - 900x600mm HEIGHT - 400/450mm BASE - 500x500mm	TOP - 900x600mm HEIGHT - 400/450mm BASE - 500x500mm

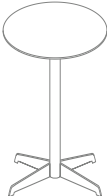
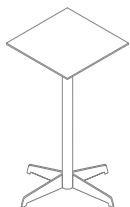
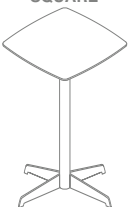

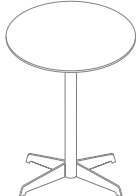
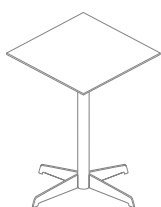
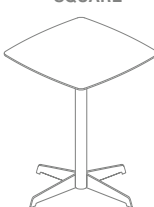
Meeting/Dining Table

DIA 	SQUARE 	CURVED SQUARE 	DIA 	SQUARE 	CURVED SQUARE 
TOP - 800/1000mm HEIGHT - 750mm BASE - 600x600mm	TOP - 800/1000mm HEIGHT - 750mm BASE - 600x600mm	TOP - 800/1000mm HEIGHT - 750mm BASE - 600x600mm	TOP - 1200mm HEIGHT - 750mm BASE - 600x600mm	TOP - 1200mm HEIGHT - 750mm BASE - 600x600mm	TOP - 1200mm HEIGHT - 750mm BASE - 600x600mm

2 Base Meeting/ Café Table

RECTANGULAR 	RECTANGULAR 	RECTANGULAR 	CURVED RECTANGULAR 
TOP - 1200x800mm, HEIGHT - 750mm BASE - 900x500mm	TOP - 1500x800mm, HEIGHT - 750mm BASE - 1000x500mm	TOP - 1800x800mm, HEIGHT - 750mm BASE - 1200x500mm	TOP - 1200/1500/1800x800mm, HEIGHT - 750mm BASE - 900x500mm

Tall Table

DIA 	SQUARE 	CURVED SQUARE 	CURVED RECTANGULAR 	DIA 	SQUARE 	CURVED SQUARE 
TOP - 600mm HEIGHT - 1050mm BASE - 500x500mm	TOP - 600mm HEIGHT - 1050mm BASE - 500x500mm	TOP - 600mm HEIGHT - 1050mm BASE - 500x500mm	TOP - 700x600mm HEIGHT - 1050mm BASE - 500x500mm	TOP - 800mm HEIGHT - 1050mm BASE - 600x600mm	TOP - 800mm HEIGHT - 1050mm BASE - 600x600mm	TOP - 800mm HEIGHT - 1050mm BASE - 600x600mm

To match lacquered glass colours refer material catalogue.

*Tall table has thicker base plate for stability.

*Heavy duty base to accommodate a top of 1200mm

Table Finishes

Edge Details

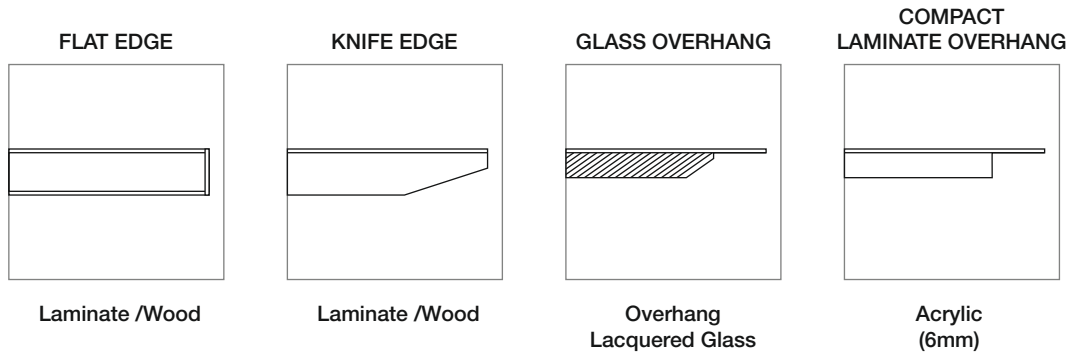
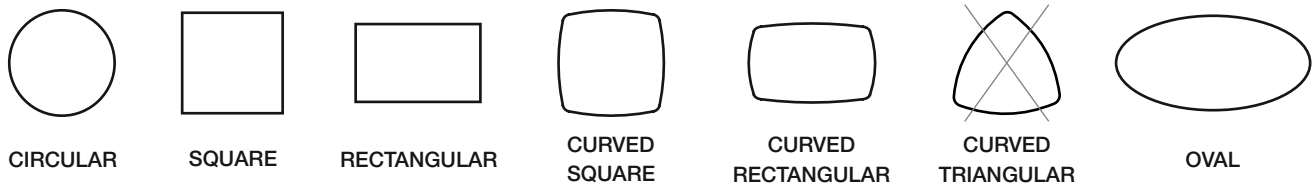


Table Top Options



Laminate



Wood / Veneer



Lacquered Glass



RT15

STAINLESS STEEL BASE TABLES



CENTER TABLE



SIDE TABLE



MEETING/DINING TABLE

Standard Product Information

Tops : Veneer, Laminate, Lacquered Glass, & Acrylic.

Structural Frame : Mild Steel and Stainless Steel integrally moulded.

Edge Detail : Flat edge, Knife edge, Glass overhang & Acrylic overhang.

Base : Chrome Column on Stainless Steel.



Product Information


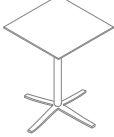


Stainless Steel lazer cut cross base with feet integrates a column can be used either at work or occasional table combined with Glass, Veneer or Laminates.

Specification


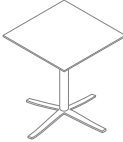



Base in cross 8 mm Stainless Steel with scratch proof feet with thick column, top plate has options to mounts Glass, Veneer, Laminate or Acrylic tops.

Product Range


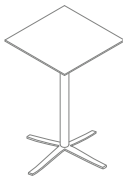


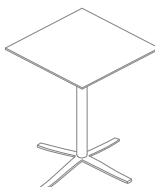

Side Table

DIA	SQUARE	CURVED SQUARE	CURVED RECTANGULAR
			
TOP - 400/500mm HEIGHT - 450/500mm BASE - 300x300mm	TOP - 400/500mm HEIGHT - 450/500mm BASE - 300x300mm	TOP - 400/500mm HEIGHT - 450/500mm BASE - 300x300mm	TOP - 500x400mm HEIGHT - 450/500mm BASE - 300x300mm

Center Table

DIA	SQUARE	CURVED SQUARE	CURVED RECTANGULAR	OVAL
				
TOP - 600/800mm HEIGHT - 400/450mm BASE - 500x500mm	TOP - 600/800mm HEIGHT - 400/450mm BASE - 500x500mm	TOP - 600/800mm HEIGHT - 400/450mm BASE - 500x500mm	TOP - 900x600mm HEIGHT - 400/450mm BASE - 500x500mm	TOP - 900x600mm HEIGHT - 400/450mm BASE - 500x500mm

Meeting/Dining Table

DIA	SQUARE	CURVED SQUARE	DIA	SQUARE	CURVED SQUARE
					
TOP - 800/1000mm HEIGHT - 750mm BASE - 600x600mm	TOP - 800/1000mm HEIGHT - 750mm BASE - 600x600mm	TOP - 800/1000mm HEIGHT - 750mm BASE - 600x600mm	TOP - 1200mm HEIGHT - 750mm BASE - 600x600mm	TOP - 1200mm HEIGHT - 750mm BASE - 600x600mm	TOP - 1200mm HEIGHT - 750mm BASE - 600x600mm

To match lacquered glass colours refer material catalogue.

*Tall table has thicker base plate for stability.

*Heavy duty base to accommodate top of 1200mm

Table Finishes

Edge Details

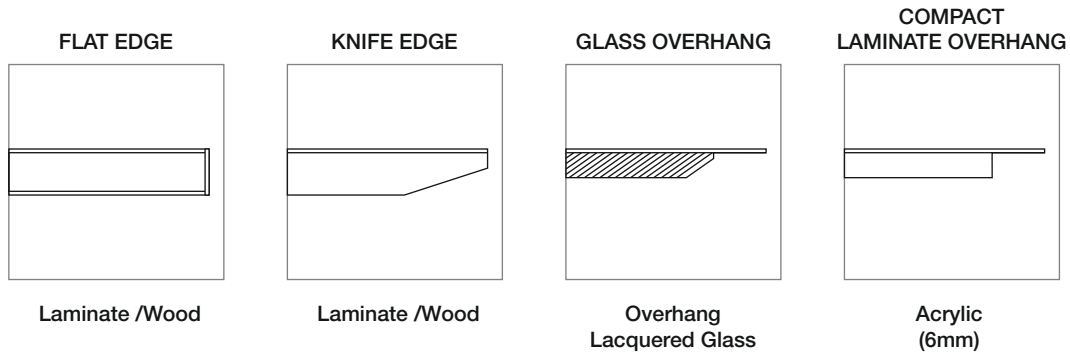
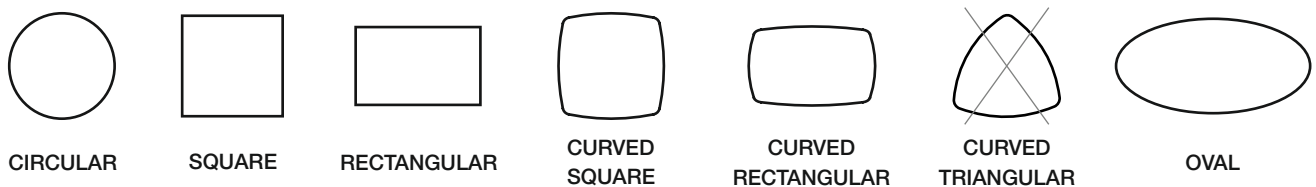


Table Top Options



Laminate



Wood / Veneer



Lacquered Glass



RT16

PAINTED MILD STEEL BASE TABLES



CENTER TABLE



SIDE TABLE



MEETING/DINING TABLE

Standard Product Information

Tops : Veneer, Laminate, Lacquered Glass, & Acrylic.

Structural Frame : Calibrated Mild Steel Pipe with MS dual coated base.

Edge Detail : Flat edge, Knife edge, Glass overhang & Acrylic overhang.

Base : Mild Steel available in 12 colours.



Product Information


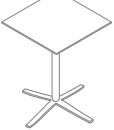


Calibrated Mild Steel lazer cut cross base with feet integrates a column can be used either at work or occasional table combined with Glass, Veneer or Laminates.

Specification


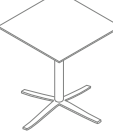



Base in cross 8 mm Mild Steel, with scratch proof feet with thick column, top plate has options to mounts Glass, Veneer, Laminate or Acrylic tops available in 12 colours.

Product Range


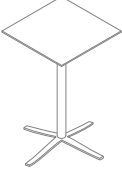
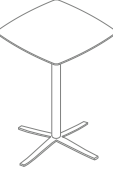

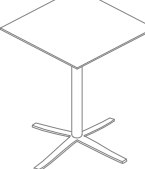

Side Table

DIA	SQUARE	CURVED SQUARE	CURVED RECTANGULAR
			
TOP - 400/500mm HEIGHT - 450/500mm BASE - 300x300mm	TOP - 400/500mm HEIGHT - 450/500mm BASE - 300x300mm	TOP - 400/500mm HEIGHT - 450/500mm BASE - 300x300mm	TOP - 500x400mm HEIGHT - 450/500mm BASE - 300x300mm

Center Table

DIA	SQUARE	CURVED SQUARE	CURVED RECTANGULAR	OVAL
				
TOP - 600/800mm HEIGHT - 400/450mm BASE - 500x500mm	TOP - 600/800mm HEIGHT - 400/450mm BASE - 500x500mm	TOP - 600/800mm HEIGHT - 400/450mm BASE - 500x500mm	TOP - 900x600mm HEIGHT - 400/450mm BASE - 500x500mm	TOP - 900x600mm HEIGHT - 400/450mm BASE - 500x500mm

Meeting/Dining Table

DIA	SQUARE	CURVED SQUARE	DIA	SQUARE	CURVED SQUARE
					
TOP - 800/1000mm HEIGHT - 750mm BASE - 600x600mm	TOP - 800/1000mm HEIGHT - 750mm BASE - 600x600mm	TOP - 800/1000mm HEIGHT - 750mm BASE - 600x600mm	TOP - 1200mm HEIGHT - 750mm BASE - 600x600mm	TOP - 1200mm HEIGHT - 750mm BASE - 600x600mm	TOP - 1200mm HEIGHT - 750mm BASE - 600x600mm

To match lacquered glass colours refer material catalogue.

*Tall table has thicker base plate for stability.

*Heavy duty base to accommodate a top of 1200mm

Table Finishes

Edge Details

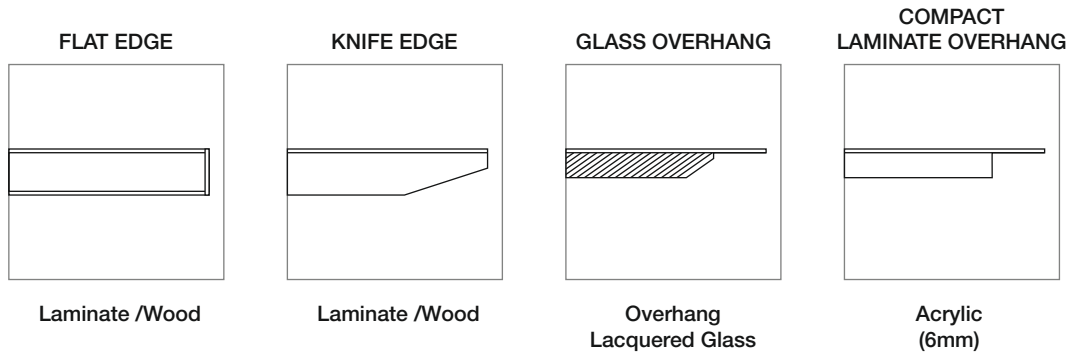
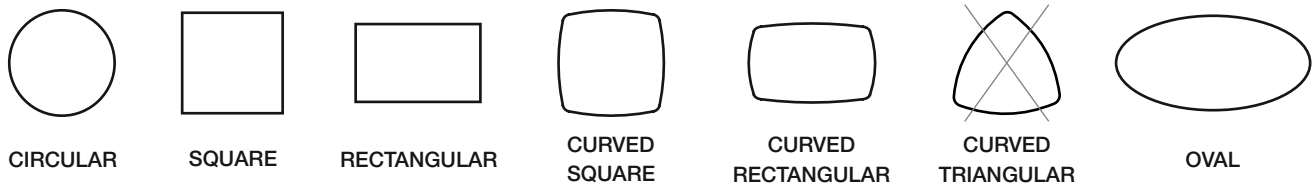


Table Top Options



Laminate



Wood / Veneer



Lacquered Glass



LT3

WOODEN BASE



CENTER TABLE



SIDE TABLE



MEETING/DINING TABLE

Standard Product Information

Tops : Choice of Glass, Lacquered Glass, Laminate & Veneer.

Structural Frame : Solid Wood.

Edge Detail : Square or Chamfered.

Base : Tapered Machined Solid Wood.

* Acrylic available on special order.



Product Information

Center and Side Tables made in Wood with tapered Legs Can be used either at work or Occasional Table combined with Glass, Veneer or Laminates.



This tables Compliments Shearling Forms Chairs of L3 Bases.

Specification





Base in Hard Solid Wood with multiple PU Coats of Lacquer, Joint with Water Resistant Glues. Top Plate has options to Mount Glass, Veneer, Laminate or Acrylic tops.

Product Range





Side Table

DIA	SQUARE
	
TOP - 500mm HEIGHT - 450mm BASE - 450x450mm	TOP - 500x500mm HEIGHT - 450mm BASE - 450x450mm

Center Table

DIA	SQUARE	DIA	SQUARE
			
TOP - 600mm HEIGHT - 400mm BASE - 550x550mm	TOP - 600x600mm HEIGHT - 400mm BASE - 550x550mm	TOP - 800mm HEIGHT - 400mm BASE - 550x550mm	TOP - 800x800mm HEIGHT - 400mm BASE - 550x550mm

Meeting/Dining Table

DIA	SQUARE	DIA	SQUARE
			
TOP - 1000mm HEIGHT - 750mm BASE - 750x750mm	TOP - 1000x1000mm HEIGHT - 750mm BASE - 750x750mm	TOP - 1200mm HEIGHT - 750mm BASE - 750x750mm	TOP - 1200x1200mm HEIGHT - 750mm BASE - 750x750mm

To match lacquered glass colours refer material catalogue.

*Tall table has thicker base plate for stability.

*Heavy duty base to accommodate top of 1200mm

Table Finishes

Edge Details

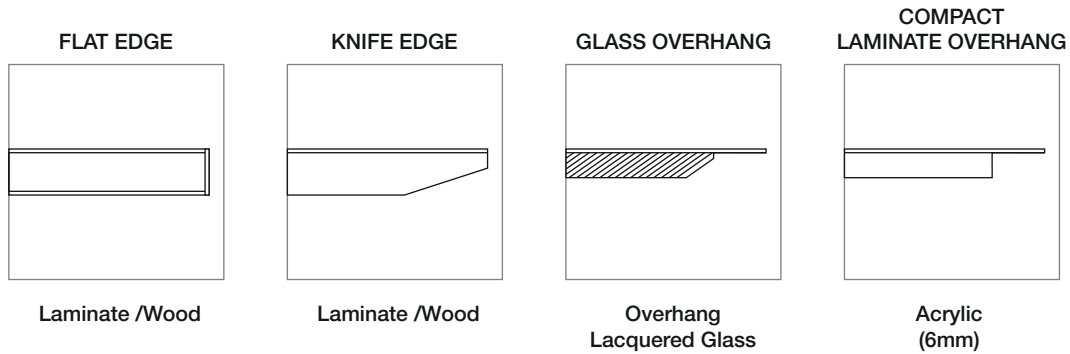
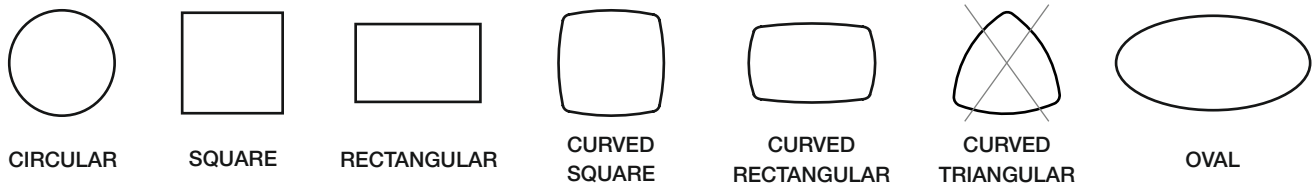


Table Top Options



Laminate



Wood / Veneer



Lacquered Glass



LT4

SS SUPPORT WITH WOODEN BASE



CENTER TABLE



SIDE TABLE



MEETING/DINING TABLE



MEETING/DINING TABLE

Standard Product Information

Tops : Choice of Glass, Lacquered Glass, Laminate & Veneer.

Structural Frame : Solid Wood Leg and Integrated SS & MS base.

Edge Detail : Square or Chamfered.

Base : Tapered Machined Solid Wood with Integrated Steel.



Product Information





Center and Side Tables made in Stainless Steel Mounting Plate with Conical Wooden Legs can be used either at work or Occasional Table combined with Glass, Veneer or Laminates.

Specification





Base in hard Solid Wood with Metal reinforcement screw, threaded and joint with SS base in integrated steel and MS with multiple PU Coats of Lacquer, Top Plate has options to Mount Glass, Veneer, Laminate or Acrylic Tops.

Product Range




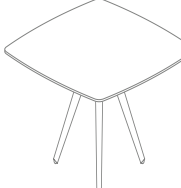
Side Table

DIA	SQUARE	DIA	SQUARE
			
TOP - 500mm HEIGHT - 450mm BASE - 470x470mm	TOP - 500x500mm HEIGHT - 450mm BASE - 470x470mm	TOP - 600mm HEIGHT - 450mm BASE - 470x470mm	TOP - 600x600mm HEIGHT - 450mm BASE - 470x470mm

Center Table

DIA	SQUARE	DIA	SQUARE
			
TOP - 750mm HEIGHT - 400mm BASE - 575x575mm	TOP - 750x750mm HEIGHT - 400mm BASE - 575x575mm	TOP - 900mm HEIGHT - 400mm BASE - 575x575mm	TOP - 900x900mm HEIGHT - 400mm BASE - 575x575mm

Meeting/Dining Table

DIA	SQUARE	DIA	SQUARE
			
TOP - 800mm HEIGHT - 750mm BASE - 750x750mm	TOP - 800x800mm HEIGHT - 750mm BASE - 750x750mm	TOP - 1000mm HEIGHT - 750mm BASE - 750x750mm	TOP - 1000x1000mm HEIGHT - 750mm BASE - 750x750mm

Meeting/Dining Table

RECTANGULAR	RECTANGULAR	RECTANGULAR
		
TOP - 1200x800mm, HEIGHT - 750mm BASE - 900x500mm	TOP - 1500x800mm, HEIGHT - 750mm BASE - 1000x500mm	TOP - 1800x800mm, HEIGHT - 750mm BASE - 1200x500mm

To match lacquered glass colours refer material catalogue.
*Tall table has thicker base plate for stability.

Table Finishes

Edge Details

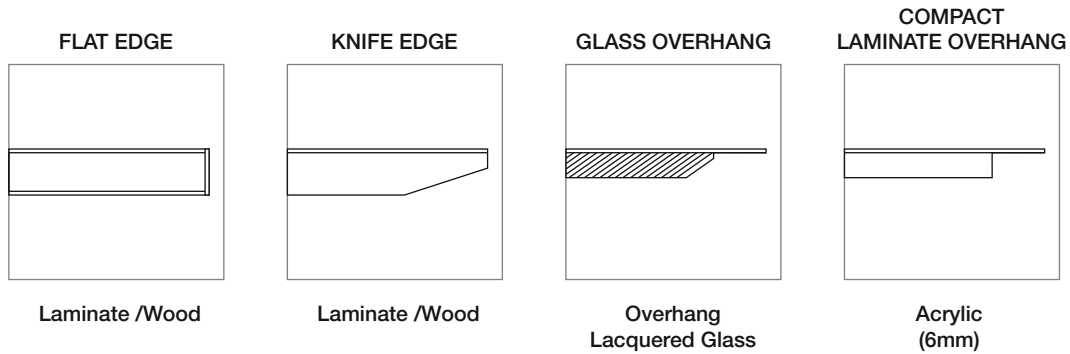
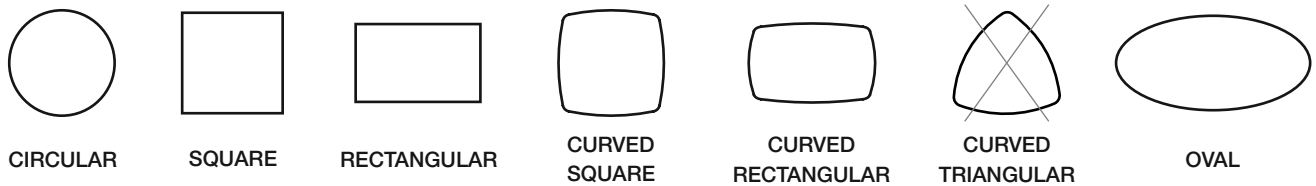


Table Top Options



Laminate



Wood / Veneer



Lacquered Glass



CURVE

OCCASIONAL TABLES



CENTER TABLE



SIDE TABLE
(Off Center)



SIDE TABLE
(Centric)



CENTER TABLE
(Off Center)



MEETING/DINING TABLE

Standard Product Information

Tops : Choice of Glass, Lacquered Glass, Laminate & Veneer.

Structural Frame : Fiber Glass and Integrated MS base.

Edge Detail : Square or Chamfered.

Base : Conical shaped with Integrated Steel reinforcement.

Available in 12 Standard Colors.



Product Information

Center and Side Tables made in with Flowing Shapes with Stable base and can be used either at work or Occasional Table combined with Glass, Veneer or Laminates. Glass Suits the best and compliments the sleeker shape.

Specification

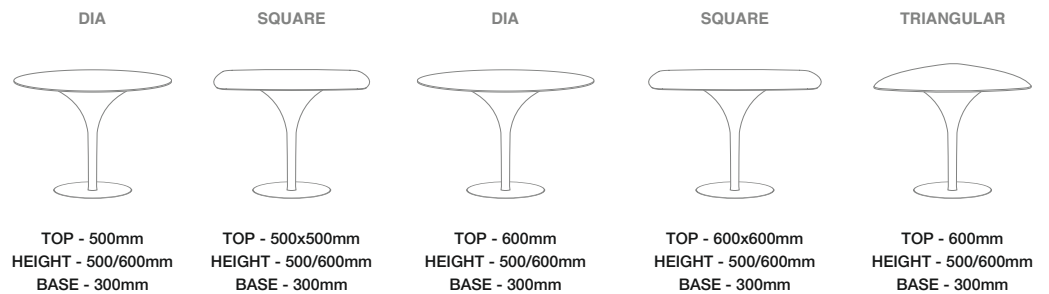
Base in Fiber Glass Integrated with Metal Frame joined with Screws and with metal reinforcements inside the Shell, with multiple PU Coats of Lacquer, Top Plate has options to Mount Glass, Veneer, Laminate or Acrylic Tops.

Product Range

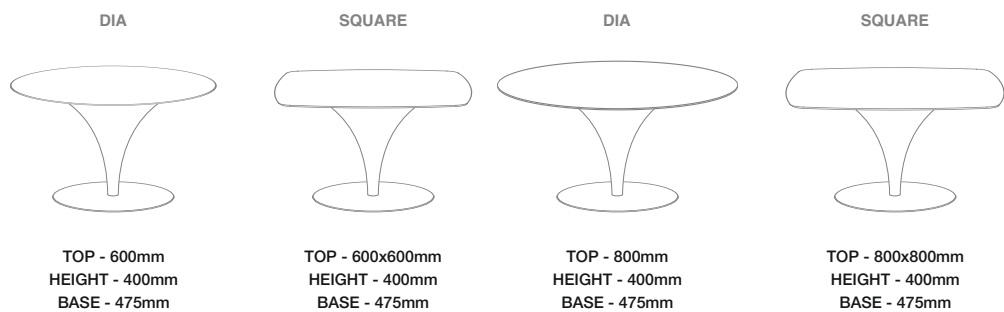
Side Table



Side Centric Table



Center Table



Meeting/Dining Table

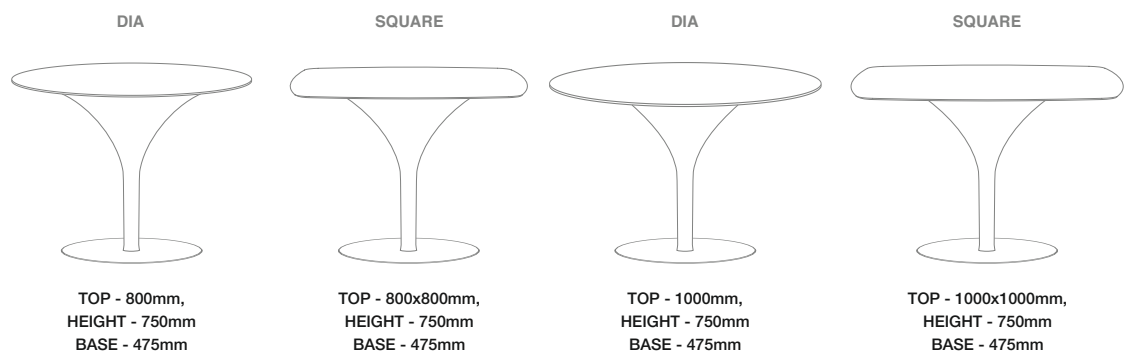


Table Finishes

Edge Details

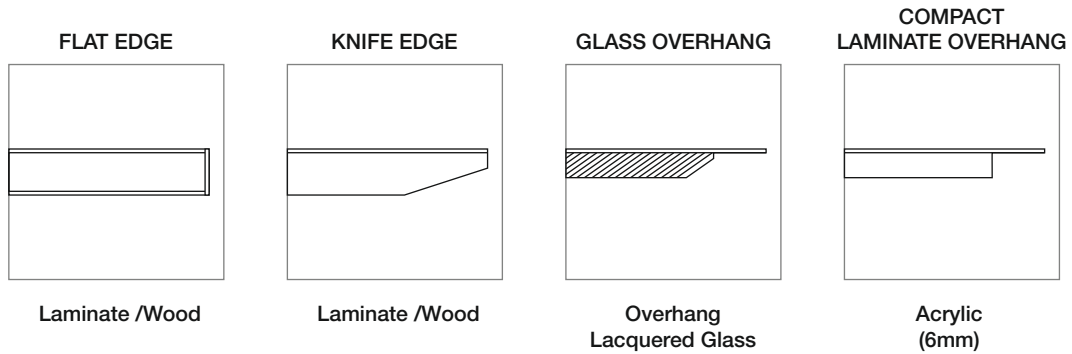
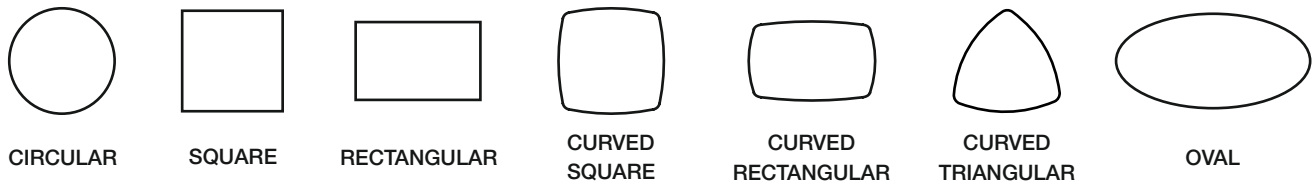


Table Top Options



Laminate



Wood / Veneer



Lacquered Glass



IBZ SS/MS

OCCASIONAL TABLES



CENTER TABLE



SIDE TABLE



MEETING/DINING TABLE

Standard Product Information

Tops : Veneer, Laminate, Lacquered Glass, & Acrylic.

Structural Frame : (SS base)Mild Steel, and Stainless Steel integrally moulded with Solid Wood Column.

(MS base)Calibrated Mild Steel Pipe with MS Dual Coated base with Solid Wood Column.

Edge Detail : Flat edge, Knife edge, Glass overhang & Acrylic overhang.

Base : Stainless Steel or Mild Steel Coated in 12 Colors.



Product Information






It is a products raised in level form DT1 or DT2, column replaced by Solid wood adds elegance to the product and the with various height and top sizes the product elevates form an average table to a completely new design level.

Specification


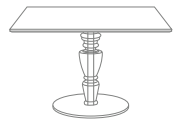
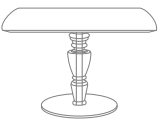
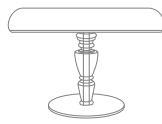


Structure Frame : (SS base)Mild Steel, and Stainless Steel integrally moulded with Solid Wood Column. Top plate has options to mount Glass, Laminate, Veneer or Acrylic., Base is joint to the column with Philip head screws. Mild Steel base is available in 12 Colors.

Product Range



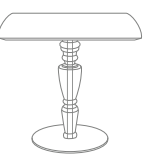


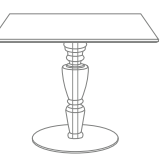

Side Table

DIA	SQUARE	CURVED SQUARE	CURVED RECTANGULAR	CURVED TRIANGULAR
				
TOP - 400/500mm HEIGHT - 450/500mm SS BASE - 315x8mm MS BASE - 300x8mm	TOP - 400/500mm HEIGHT - 450/500mm SS BASE - 315x8mm MS BASE - 300x8mm	TOP - 400/500mm HEIGHT - 450/500mm SS BASE - 315x8mm MS BASE - 300x8mm	TOP - 400x500mm HEIGHT - 450/500mm SS BASE - 315x8mm MS BASE - 300x8mm	TOP - 600mm HEIGHT - 450/500mm SS BASE - 315x8mm MS BASE - 300x8mm

Center Table

DIA	SQUARE	CURVED SQUARE	CURVED RECTANGULAR	CURVED TRIANGULAR	OVAL
					
TOP - 600/800mm HEIGHT - 400/450mm SS BASE - 475x8mm MS BASE - 460x8mm	TOP - 600/800mm HEIGHT - 400/450mm SS BASE - 475x8mm MS BASE - 460x8mm	TOP - 600/800mm HEIGHT - 400/450mm SS BASE - 475x8mm MS BASE - 460x8mm	TOP - 600x900mm HEIGHT - 400/450mm SS BASE - 475x8mm MS BASE - 460x8mm	TOP - 900mm HEIGHT - 400/450mm SS BASE - 475x8mm MS BASE - 460x8mm	TOP - 600x900mm HEIGHT - 400/450mm SS BASE - 475x8mm MS BASE - 460x8mm

Meeting/Dining Table

DIA	SQUARE	CURVED SQUARE	CURVED TRIANGULAR	DIA	SQUARE	CURVED SQUARE
						
TOP - 800/1000mm HEIGHT - 750mm SS BASE - 475x8mm MS BASE - 460x8mm	TOP - 800/1000mm HEIGHT - 750mm SS BASE - 475x8mm MS BASE - 460x8mm	TOP - 800/1000mm HEIGHT - 750mm SS BASE - 475x8mm MS BASE - 460x8mm	TOP - 1000mm HEIGHT - 750mm SS BASE - 475x8mm MS BASE - 460x8mm	TOP - 1200mm HEIGHT - 750mm SS BASE - 600x12mm MS BASE - 600x12mm	TOP - 1200mm HEIGHT - 750mm SS BASE - 600x12mm MS BASE - 600x12mm	TOP - 1200mm HEIGHT - 750mm SS BASE - 600x12mm MS BASE - 600x12mm

To match lacquered glass colours refer material catalogue.
*Tall table has thicker base plate for stability.

Table Finishes

Edge Details

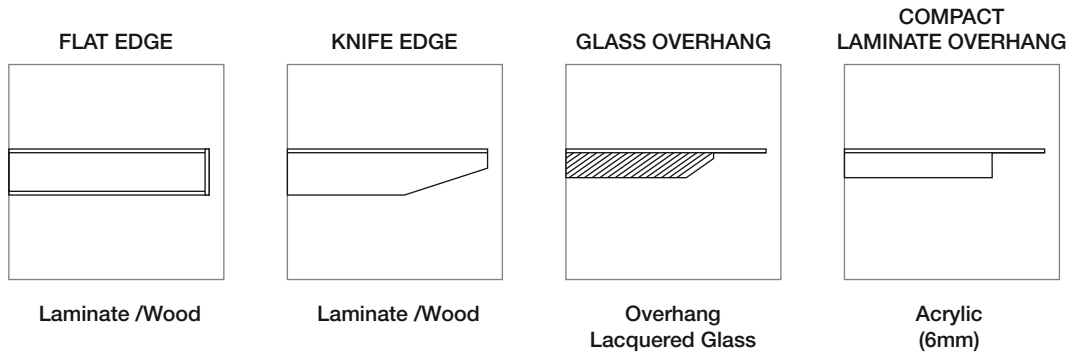
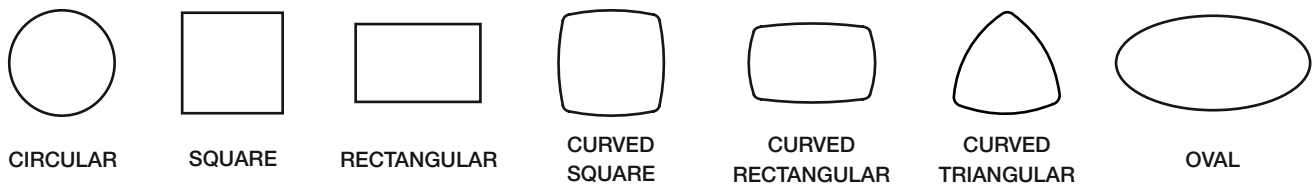


Table Top Options



Laminate



Wood / Veneer



Lacquered Glass



WL

OCCASIONAL TABLES



CENTER TABLE



SIDE TABLE

Standard Product Information

Tops : Specially designed cutting tool formation.

Structural Frame : Wire bent on CNC machine.

Base : Mild Steel and TIG welded to the top, available in 12 Colors.



Product Information

The Wire coffee table set celebrates the elegance of minimalism. The Metal tabletop rests snugly on top of the frame, finely-made round frame that is comprised of slim metal rods. This modern and refined structure has a filigree appearance despite its lightweight look. A must-have for any minimalist room.

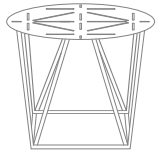
Specification

Base bent on CNC wire Bending machine for accuracy, integrated with Specially Designed Cutting tool formation

Product Range

Side Table

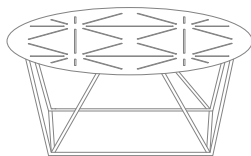
DIA



TOP - 450mm
HEIGHT - 450mm
BASE - 300x300mm

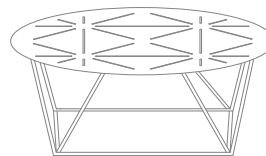
Center Table

DIA



TOP - 600mm
HEIGHT - 340mm
BASE - 400x400mm

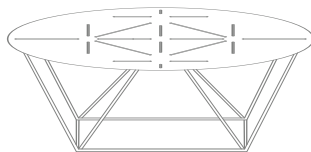
DIA



TOP - 700mm
HEIGHT - 340mm
BASE - 500x500mm

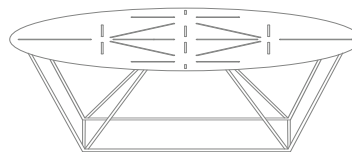
Center Table

OVAL



TOP - 900x600mm
HEIGHT - 340mm
BASE - 500x400mm

OVAL



TOP - 1200x750mm
HEIGHT - 340mm
BASE - 700x450mm

Table Finishes

Edge Details

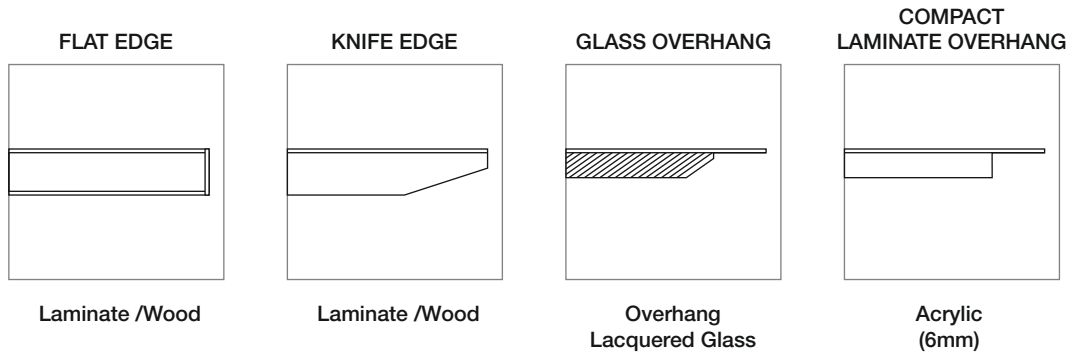
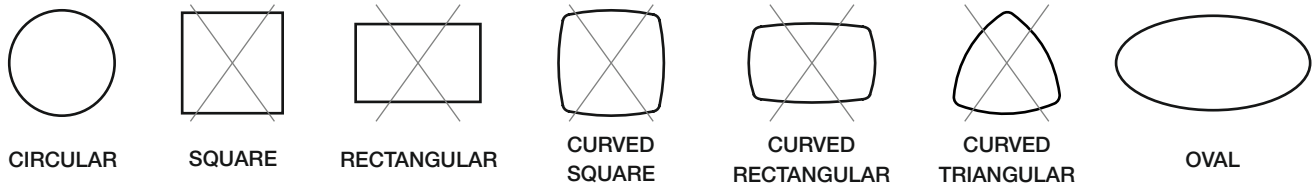


Table Top Options



Laminate



Wood / Veneer



Lacquered Glass



BUTTON SS/MS

OCCASIONAL TABLES



CENTER TABLE



SIDE TABLE



CENTER TABLE

Standard Product Information

Tops : Veneer, Laminate, Lacquered Glass, & Acrylic.

Structural Frame : Wire bent on CNC machine, in SS or MS

Base : Mild Steel and TIG welded to the top, available in 12 Colors or in SS.



Product Information

The Button tables are a series of multi-functional side and coffee tables. The tables come in small, medium and large and can easily be adapted to fit your needs, with the medium size particularly functional.

Specification

Base bent on CNC wire bending machine for accuracy, integrated with Specially designed cutting tool formation. Available in 12 Colors in MS and in Stainless Steel.

Product Range

Side Table

DIA



TOP - 500mm
HEIGHT - 500mm
BASE - 400x400mm

SQUARE



TOP - 500mm
HEIGHT - 500mm
BASE - 400x400mm

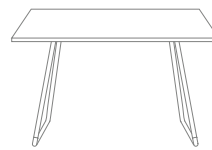
Center Table

DIA



TOP - 600/800mm
HEIGHT - 400mm
BASE - 400x400/450x450mm

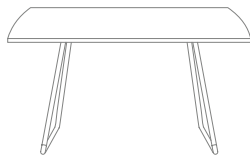
SQUARE



TOP - 600/800mm
HEIGHT - 400mm
BASE - 400x400/450x450mm

Center Table

CURVED
RECTANGULAR



TOP - 900x600mm
HEIGHT - 400mm
BASE - 450x450mm

OVAL



TOP - 900x600mm
HEIGHT - 400mm
BASE - 450x450mm

Table Finishes

Edge Details

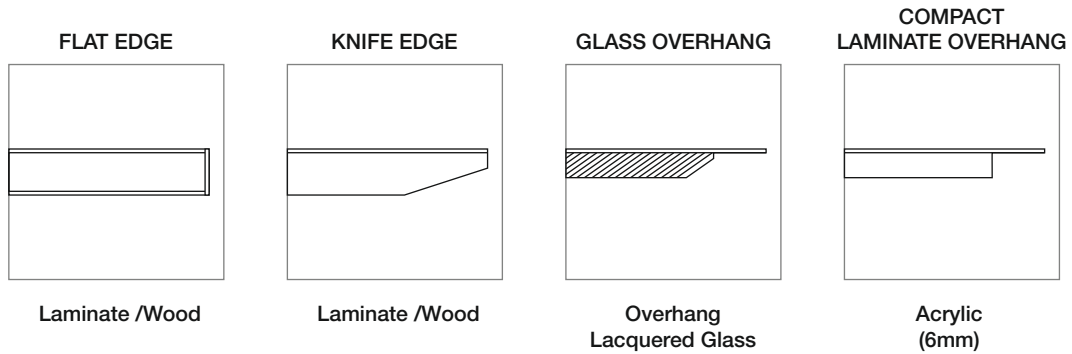
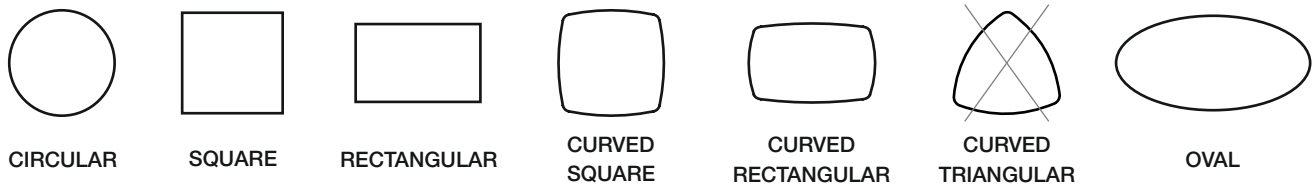


Table Top Options



Laminate



Wood / Veneer



Lacquered Glass



IBS SS/MS

OCCASIONAL TABLES



CENTER TABLE



SIDE TABLE



CENTER TABLE

Standard Product Information

Tops : Veneer, Laminate, Lacquered Glass, & Acrylic.

Structural Frame : Made in Stainless Steel or Mild Steel, TIG welded and CNC bent.

Edge Detail : Flat edge, Knife edge, Glass overhang & Acrylic overhang.

Special information : This product is available in Dual Coated Mild Steel in 12 Colors, by choosing the top colour and the base unique combinations can be formed, the product is available in Mild Steel as well.



Product Information




This wire table combines wood and metal elements for an eye-catching look perfect for eclectic abodes. Crafted from Stainless Steel or Painted Mild Steel, its base showcases simple silhouette, which draws the eye with its open lines that create movement, and allows users ample leg space.

Specification




Base made in Anti Corrosion Dual painted Mild Steel or Stainless Steel, CNC bent and TIG welded, Top of the wire structure is jointed integrally so that top assembly can house Laminate, Veneer, Acrylic or Glass tops.

Product Range

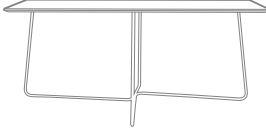
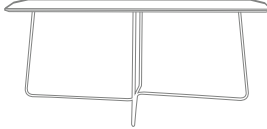
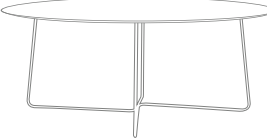
Side Table

DIA	SQUARE	CURVED SQUARE
		
TOP - 500mm HEIGHT - 500mm BASE - 450x450mm	TOP - 500x500mm HEIGHT - 500mm BASE - 450x450mm	TOP - 500x500mm HEIGHT - 500mm BASE - 450x450mm

Center Table

DIA	SQUARE	CURVED SQUARE
		
TOP - 600/800mm HEIGHT - 400mm BASE - 450x450/750x750mm	TOP - 600x600/800x800mm HEIGHT - 400mm BASE - 450x450/750x750mm	TOP - 600x600/800x800mm HEIGHT - 400mm BASE - 450x450/750x750mm

Center Table

RECTANGULAR	CURVED RECTANGULAR	OVAL
		
TOP - 700x450/1165x715mm HEIGHT - 400mm BASE - 650x410/1115x665mm	TOP - 700x450/1165x715mm HEIGHT - 400mm BASE - 650x410/1115x665mm	TOP - 900x600mm HEIGHT - 400mm BASE - 850x550mm

To match lacquered glass colours refer material catalogue.
*Tall table has thicker base plate for stability.

Table Finishes

Edge Details

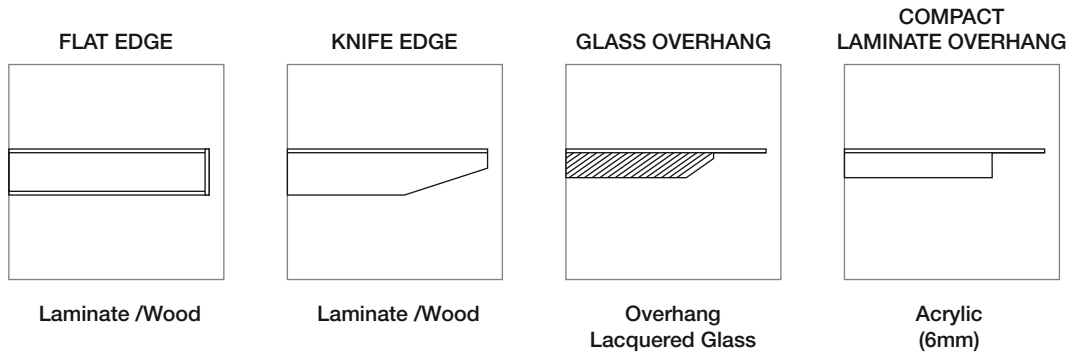
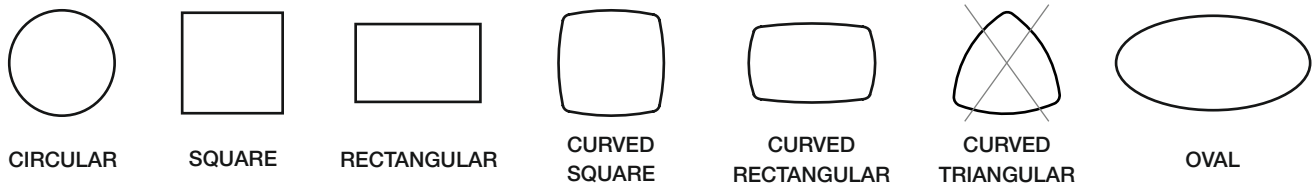


Table Top Options



Laminate



Wood / Veneer



Lacquered Glass



HAIRPIN SS/MS

OCCASIONAL TABLES



Center Table



Side Table



Meeting/Dining Table



Meeting/Dining Table

Standard Product Information

Tops : Veneer, Laminate, Lacquered Glass, & Acrylic.

Structural Frame : Wire bent on CNC machine, in SS or MS

Base : Mild Steel and TIG welded to the top, available in 12 Colors or in SS.



Product Information




The Button tables are a series of multi-functional side and coffee tables. The tables come in small, medium and large and can easily be adapted to fit your needs, with the medium size particularly functional.

Specification



Base bent on CNC wire bending machine for accuracy, integrated with Specially designed cutting tool formation. Available in 12 Colors in MS and in Stainless Steel.

Product Range




Side Table

DIA	SQUARE	CURVED SQUARE
		
TOP - 500mm HEIGHT - 450/500mm BASE - 430mm	TOP - 500x500mm HEIGHT - 450/500mm BASE - 440x440mm	TOP - 500x500mm HEIGHT - 450/500mm BASE - 440x440mm

Center Table

DIA	SQUARE	CURVED SQUARE
		
TOP - 600/800mm HEIGHT - 400mm BASE - 510/585mm	TOP - 600x600/800x800mm HEIGHT - 400mm BASE - 540x540/580x580mm	TOP - 600x600/800x800mm HEIGHT - 400mm BASE - 540x540/580x580mm

Meeting/Dining Table

DIA	SQUARE	CURVED SQUARE
		
TOP - 1000/1200mm HEIGHT - 750mm BASE - 780x780/980x980mm	TOP - 1000x1000/1200x1200mm HEIGHT - 750mm BASE - 780x780/980x980mm	TOP - 1000x1000/1200x1200mm HEIGHT - 750mm BASE - 780x780/980x980mm

Meeting/Dining Table

SQUARE	CURVED SQUARE
	
TOP - 1200/1500/1800x800mm HEIGHT - 750mm BASE - 980/1280/1580x580mm	TOP - 1200/1500/1800x800mm HEIGHT - 750mm BASE - 980/1280/1580x580mm

To match lacquered glass colours refer material catalogue.
*Tall table has thicker base plate for stability.

Table Finishes

Edge Details

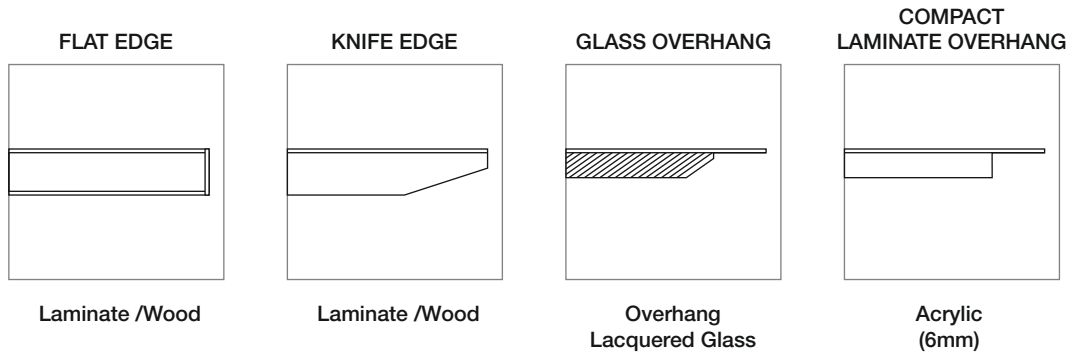
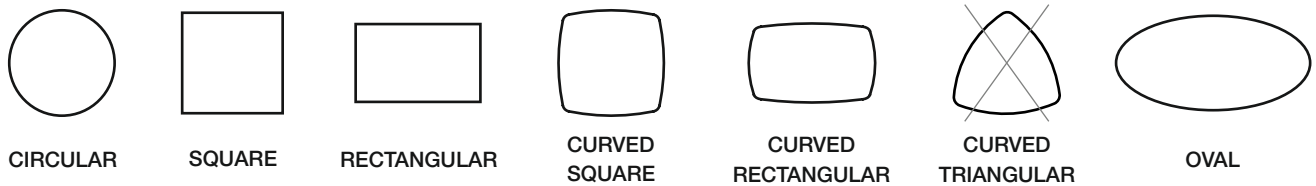


Table Top Options



Laminate



Wood / Veneer



Lacquered Glass



ARENA

OCCASIONAL TABLES



CENTER TABLE



SIDE TABLE



CENTER TABLE

Standard Product Information

Tops : Curved Square or Curved Rectangle in Laminate, Veneer or Glass tops.

Structural Frame : Solid Wood.

Edge Detail : Knife edge, Glass overhang, Acrylic,



Product Information

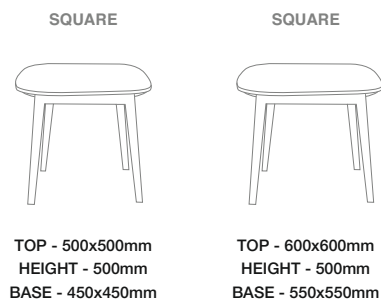
Enhance your living room decor with this Arena Coffee Table. This table's rich and unique design lends warmth, style, and visual appeal to your transitional decor. Solid wood material ensures lasting use and beauty, and the table's bottom shelf is an ideal space for placing photographs or decorative items. Constructed from veneers and glass finish for a contemporary look. Tempered glass top for durability solid wood legs provide stability.

Specification

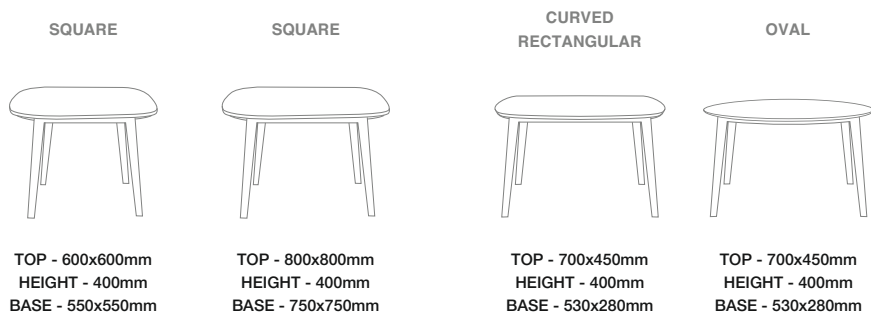
Solid Wood base fused with Glass, Laminate or Veneer to form light structure product. Polyurethane coats are sprayed on veneer and available in standard colors.

Product Range

Side Table



Center Table



Meeting/Dining Table

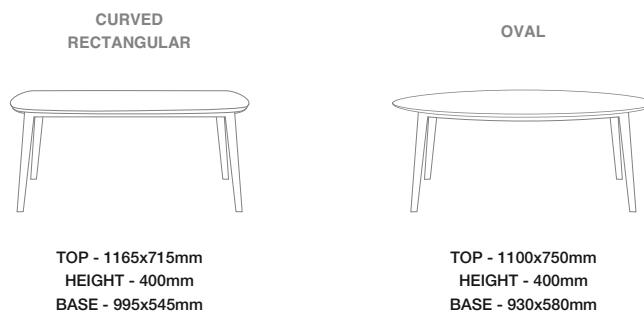


Table Finishes

Edge Details

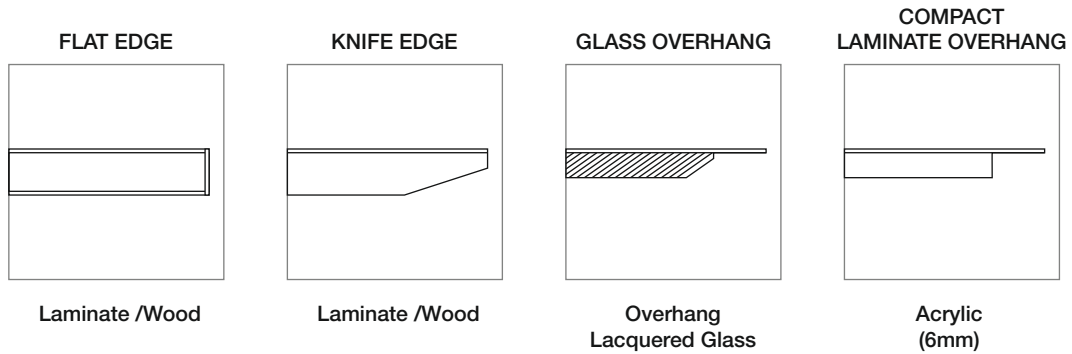
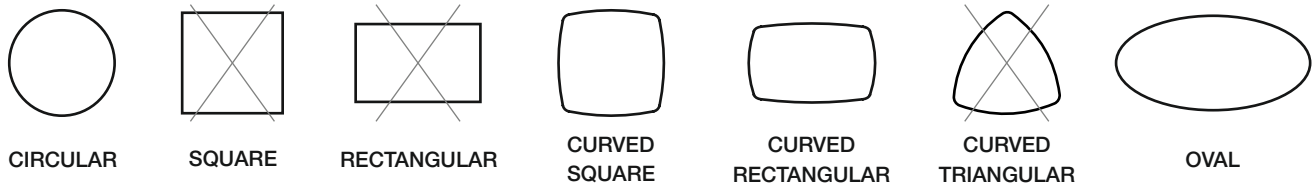


Table Top Options



Laminate



Wood / Veneer



Lacquered Glass



MASHROOM

OCCASIONAL TABLES



CENTER TABLE



SIDE TABLE



MEETING TABLE

Standard Product Information

Tops : Clear Glass, Veneer, Lacquered Glass.

Structural Frame : Integrated Metal with Wood and Bent Ply with Veneer or Cured FRP.

Edge Detail : Angled.

Base : Heavy Base TV Stability.

*All tables available in SS/MS base extension.



Product Information

Set of Mushroom Tables is available in different Heights and Table Top Sizes. The Base slopes inwards complimenting the Sharp Conical Top.

Specification

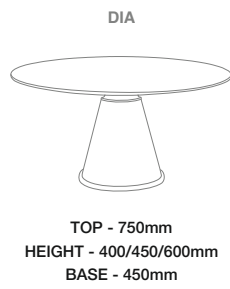
Hollow but Sturdy Base in Bend Ply Joint with a Conical Top with Veneer or Solid Colors, Top can be Veneer, Glass or Lacquered Glass.

Product Range

Side Table



Center Table



Meeting/Dining Table

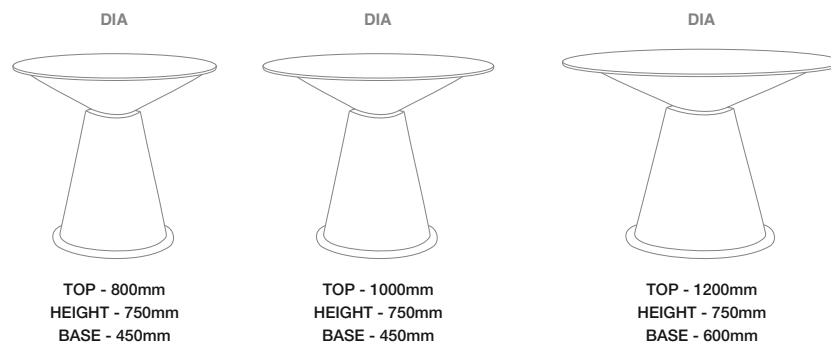


Table Finishes

Edge Details

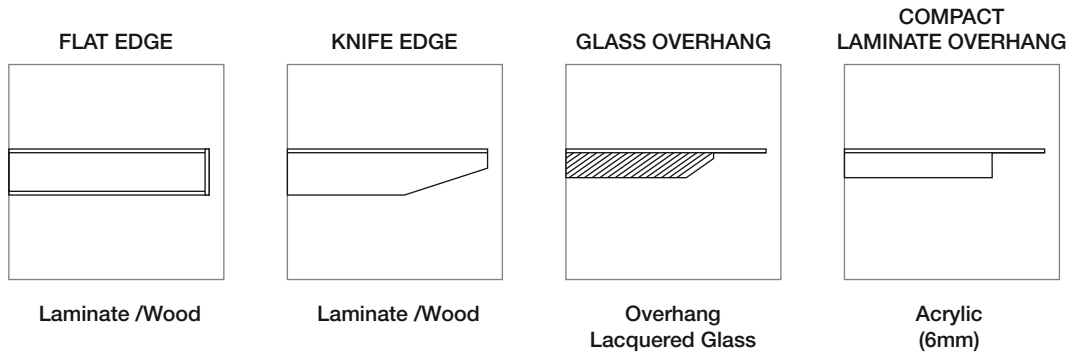
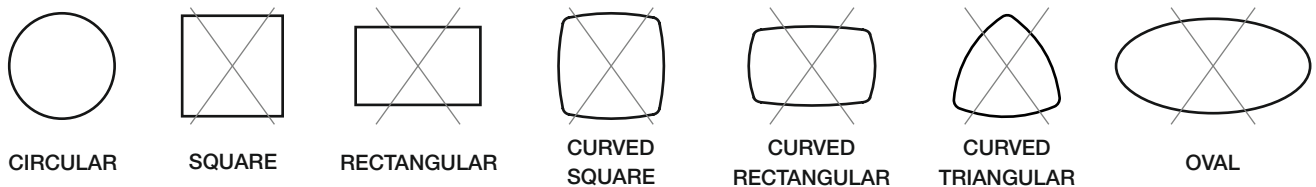


Table Top Options



Laminate



Wood / Veneer



Lacquered Glass



OASIS

OCCASIONAL TABLES



CENTER TABLE



SIDE TABLE



MEETING/DINING TABLE

Standard Product Information

Tops : Choice of Glass, Lacquered Glass, Laminate & Veneer.

Structural Frame : Fiber Glass and Integrated MS base.

Edge Detail : Square or Chamfered.

Base : Hourglass shape Painted with Integrated Steel reinforcement.

Available in 12 Standards Colors.



Product Information






Hourglass Shaped Meeting, Dining, Center and Side Tables made in FRP with Stable base and can be used either at work or Occasional Table combined with Glass, Veneer or Laminates. Glass Suits the best and compliments the sleeker shape.

Specification




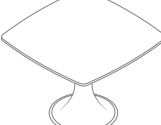

Base in Fiber Glass integrated with Metal Frame and Ply joined with Screws and with metal reinforcements inside the Shell with multiple PU Coats of Lacquer, Top Plate has options to Mount Glass, Veneer, Laminate or Acrylic Tops.

Product Range

Side Table

DIA	SQUARE	DIA	SQUARE	TRINGULAR
				
TOP - 500mm HEIGHT - 500/600mm BASE - 315mm	TOP - 500x500mm HEIGHT - 500/600mm BASE - 315mm	TOP - 600mm HEIGHT - 500/600mm BASE - 315mm	TOP - 600x600mm HEIGHT - 500/600mm BASE - 315mm	TOP - 600mm HEIGHT - 500/600mm BASE - 315mm

Center Table

DIA	SQUARE	DIA	SQUARE	TRINGULAR
				
TOP - 600mm HEIGHT - 400/450mm BASE - 475mm	TOP - 600x600mm HEIGHT - 400/450mm BASE - 475mm	TOP - 800mm HEIGHT - 400/450mm BASE - 475mm	TOP - 800x800mm HEIGHT - 400/450mm BASE - 475mm	TOP - 900mm HEIGHT - 400/450mm BASE - 475mm

Meeting/Dining Table


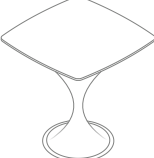


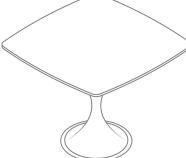
DIA	SQUARE	TRINGULAR	DIA	SQUARE
				
TOP - 800mm HEIGHT - 750mm BASE - 525mm	TOP - 800x800mm HEIGHT - 750mm BASE - 525mm	TOP - 900mm HEIGHT - 750mm BASE - 525mm	TOP - 1000mm HEIGHT - 750mm BASE - 525mm	TOP - 1000x1000mm HEIGHT - 750mm BASE - 525mm

Table Finishes

Edge Details

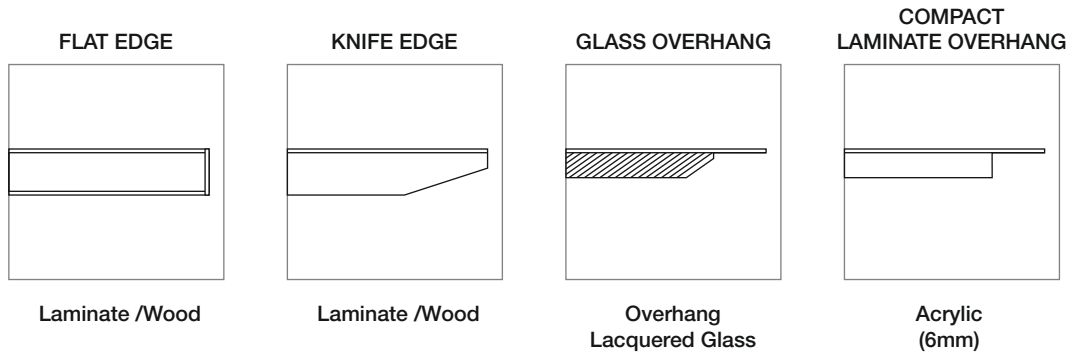
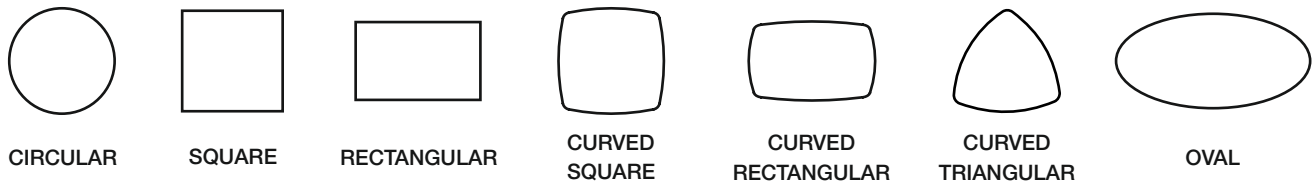


Table Top Options



Laminate



Wood / Veneer



Lacquered Glass



MONTIS

OCCASIONAL TABLES



CENTER TABLE



CENTER TABLE



SIDE TABLE

Standard Product Information

Tops : Veneer available in 10 Colors.

Structural Frame : Fused Veneer and Solid Wood.

Edge Detail : Undercut Reverse Right Angle Detail.



Product Information

Solid Wood Legs and Veneer Tops Fused to form Lighter Shapes. Montis Table compliments Blanch Sofa.

Specification

Solid Wood and Veneer fused to form Stable Light Structure, Multiple Coats of Polyurethane. Clear Lacquer Forms Protective Coat. Available in 10 Standard Colors.

Product Range

Side Table

SQUARE



TOP - 500x500mm
 HEIGHT - 500mm
 BASE - 500x500mm

Center Table

SQUARE



TOP - 600x600mm
 HEIGHT - 400mm
 BASE - 600x600mm

SQUARE



TOP - 800x800mm
 HEIGHT - 400mm
 BASE - 800x800mm

RECTANGULAR



TOP - 700x450mm
 HEIGHT - 400mm
 BASE - 700x450mm

RECTANGULAR



TOP - 1100x750mm
 HEIGHT - 400mm
 BASE - 1100x750mm

Table Finishes

Edge Details

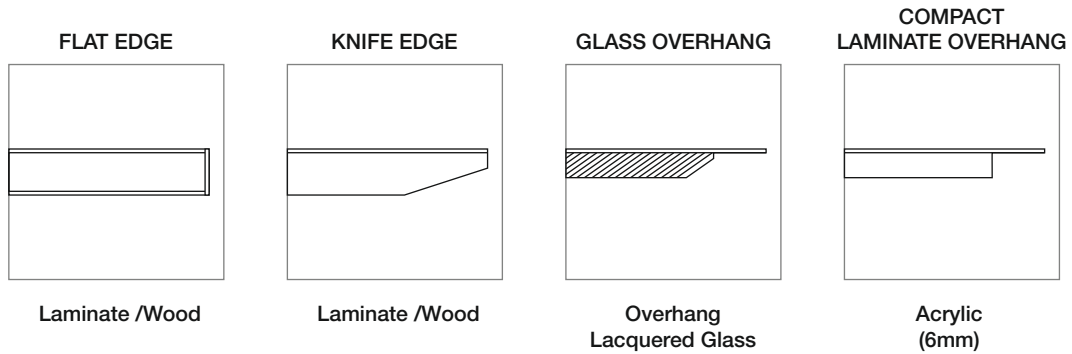
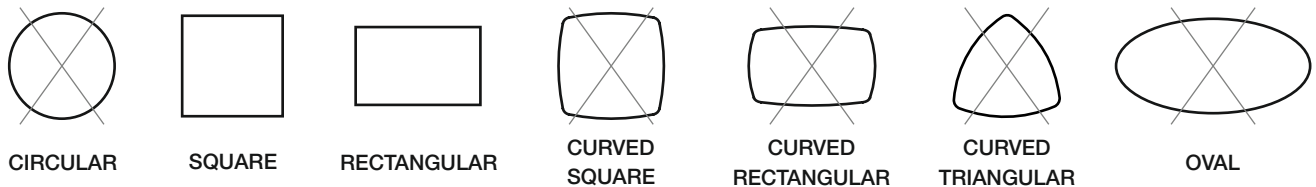


Table Top Options



Laminate



Wood / Veneer



Lacquered Glass



BLANCH

OCCASIONAL TABLES



SIDE TABLE



SIDE TABLE



SIDE TABLE



CENTER TABLE



CENTER TABLE

Standard Product Information

Tops : In Veneer Edge Banded and Lacquered.

Structural Frame : Wood and Veneer.

Edge Detail : Grooved.



Product Information

Veneer Top Vesting on a base with Cross Proportionate member. Versatility of usage from Residence to Corporate.

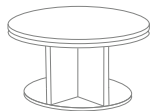
Specification

Wood Veneer Table polished in Polyurethane Lacquer with Stable Base and Flat Tops.

Product Range

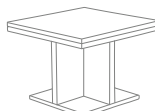
Side Table

DIA



TOP - 500mm
HEIGHT - 500mm
BASE - 315mm

SQUARE



TOP - 500x500mm
HEIGHT - 500mm
BASE - 300x300mm

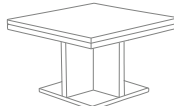
Center Table

DIA



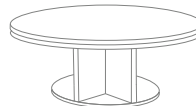
TOP - 600mm
HEIGHT - 400mm
BASE - 475mm

SQUARE



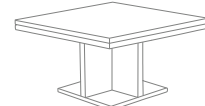
TOP - 600x600mm
HEIGHT - 400mm
BASE - 450x450mm

DIA



TOP - 800mm
HEIGHT - 400mm
BASE - 475mm

SQUARE



TOP - 800x800mm
HEIGHT - 400mm
BASE - 450x450mm

Center Table

RECTANGULAR



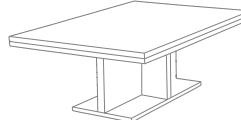
TOP - 700x450mm
HEIGHT - 400mm
BASE - 530x295mm

OVAL



TOP - 700x450mm
HEIGHT - 400mm
BASE - 530x295mm

RECTANGULAR



TOP - 1100x750mm
HEIGHT - 400mm
BASE - 900x400mm

OVAL



TOP - 1100x750mm
HEIGHT - 400mm
BASE - 900x400mm

Table Finishes

Edge Details

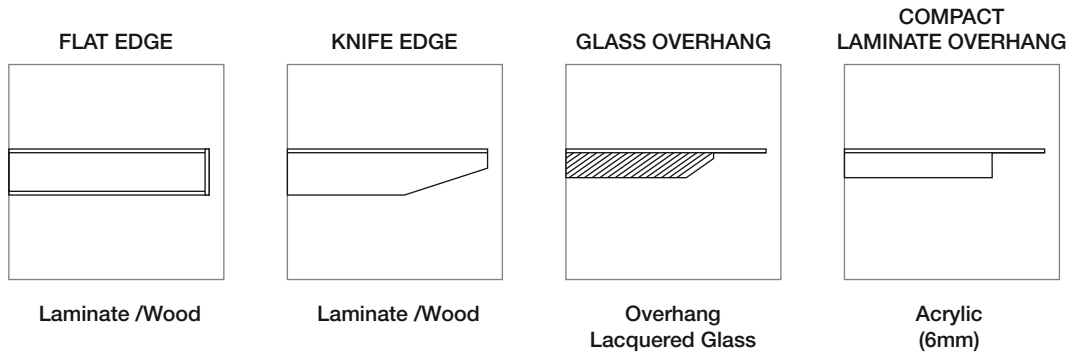
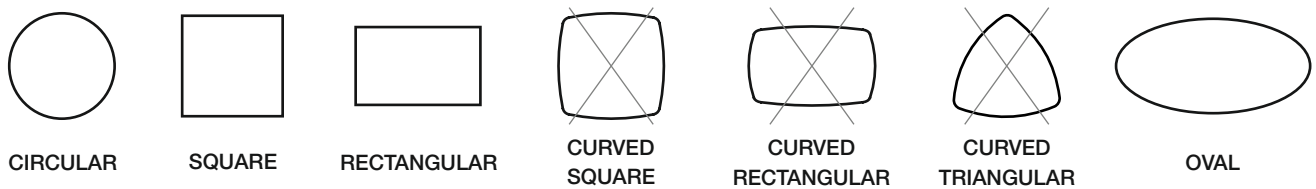


Table Top Options



Laminate



Wood / Veneer



Lacquered Glass



ALIA

OCCASIONAL TABLES



CENTER TABLE



CENTER TABLE



SIDE TABLE

Standard Product Information

Tops : Veneer available in 10 Colors.

Structural Frame : Fused Veneer and Solid Wood.

Edge Detail : Undercut Reverse Right Angle Detail.



Product Information

Square or Rectangular Box enclosure rests of Base Complimenting the heavier structure.

Contemporary of Shape allows the product to have versatile uses.

Specification

Solid Wood and Veneer Fused to form Stable Light Structure, Multiple Coats of Polyurethane clear Lacquer forms Protective Coat. Available in 10 Standard Colors.

Product Range

Side Table

SQUARE



TOP - 475x475mm
 HEIGHT - 500mm
 BASE - 475x475mm

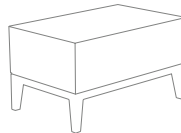
Center Table

SQUARE



TOP - 600x600mm
 HEIGHT - 400mm
 BASE - 600x600mm

RECTANGULAR



TOP - 700x450mm
 HEIGHT - 400mm
 BASE - 700x450mm

RECTANGULAR



TOP - 1000x700mm
 HEIGHT - 400mm
 BASE - 1000x700mm

Table Finishes

Edge Details

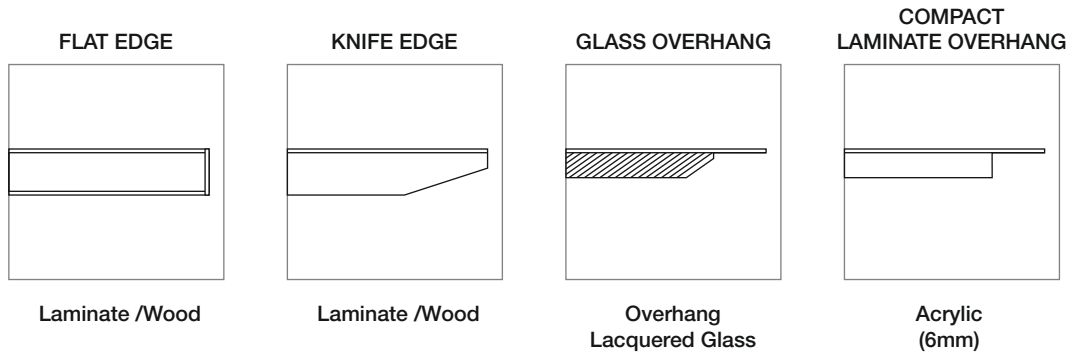
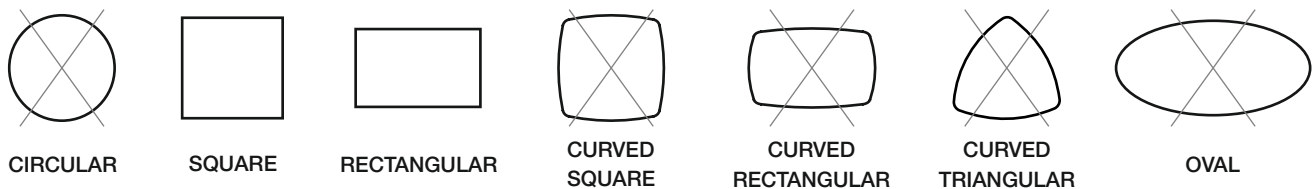


Table Top Options



Laminate



Wood / Veneer



Lacquered Glass



ANVIL SS/MS

OCCASIONAL TABLES



CENTER TABLE



SIDE TABLE



MEETING/DINING TABLE

Standard Product Information

Tops : Veneer, Laminate, Lacquered Glass, & Acrylic.

Structural Frame : Made in Stainless Steel or Mild Steel, TIG welded and joint.

Edge Detail : Flat edge, Knife edge, Glass overhang & Acrylic overhang.

Special information : This product is available in Dual Coated Mild Steel in 12 Colors, by choosing the top colour and the base unique combinations can be formed, the product is available in Mild Steel as well.



Product Information

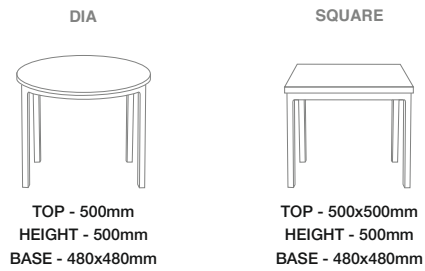
The Anvil Table is not able both for the simplicity of its form and its construction; it is functional, thoughtful and classic without being boring. Designed without architraves around the table top edge, the elegant steel table leg is right angled towards the center of the top, creating the illusion that the table top is floating.

Specification

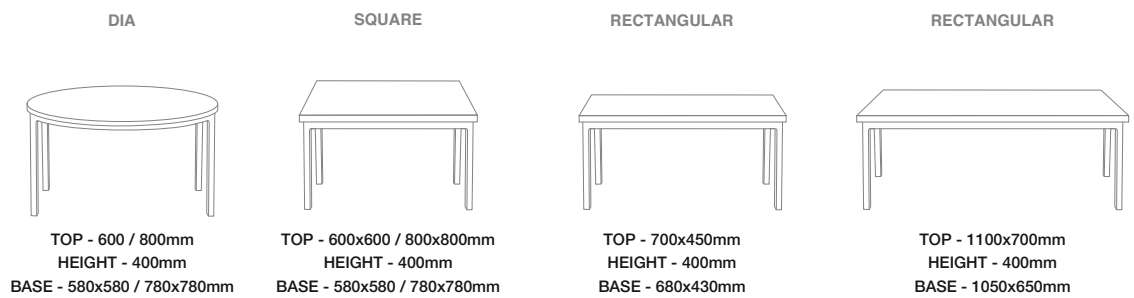
For 20 mm to 40 mm square or rectangular Mild or Stainless Steel with high load bearing capacity. Tops of various sizes can be placed, this product is not available in Curved Square or Curved Rectangular tops.

Product Range

Side Table



Center Table



Meeting/Dining Table

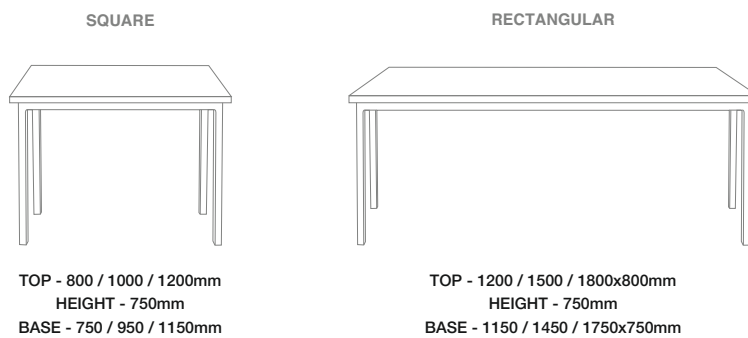


Table Finishes

Edge Details

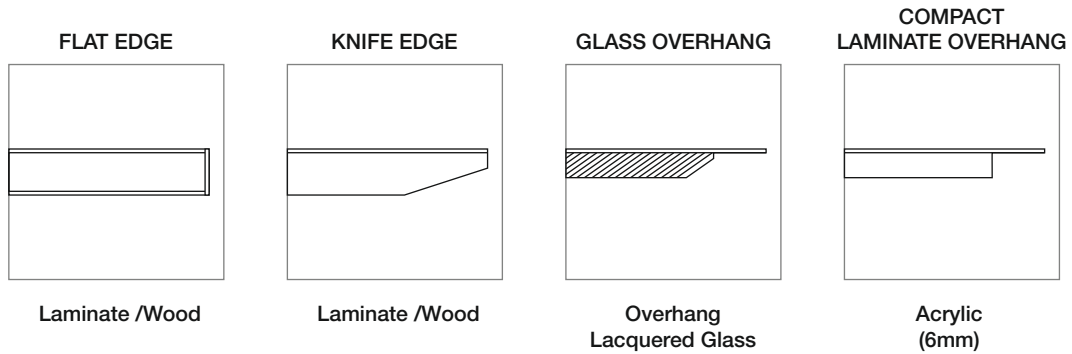
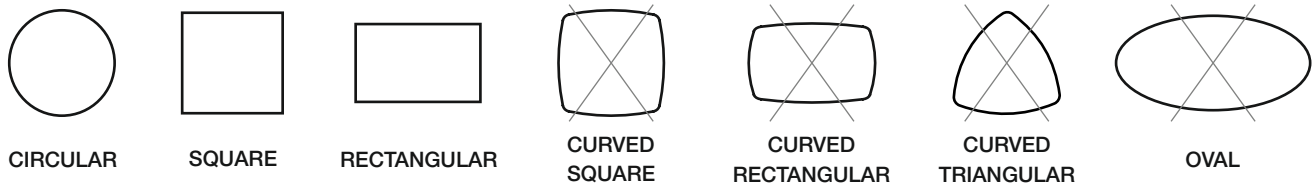


Table Top Options



Laminate



Wood / Veneer



Lacquered Glass



ELEMENT

OCCASIONAL TABLES



MEETING/DINING TABLE

Standard Product Information

Tops : Veneer, Laminate, Lacquered Glass, & Acrylic.

Structural Frame : Solid Wood frame reinforced joinery.

Base : Wooden legs machines on calibrated CNC machine.



Product Information

Enhance your living room decor with this Element Table. This table's rich and unique design lends warmth, style, and visual appeal to your transitional decor. Solid wood material ensures lasting use and beauty, and the table's bottom shelf is an ideal space for placing photographs or decorative items. Constructed from veneers and glass finish for a contemporary look. Tempered glass top for durability solid wood legs provide stability.

Specification

Base bent on CNC wire bending machine for accuracy, integrated with Specially designed cutting tool formation. Available in 12 Colours in MS and in Stainless Steel.

Product Range

Meeting/Dining Table

RECTANGULAR



TOP - 1200x800mm
HEIGHT - 750mm
BASE -

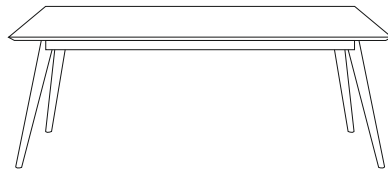
CURVED
RECTANGULAR



TOP - 1200x800mm
HEIGHT - 750mm
BASE -

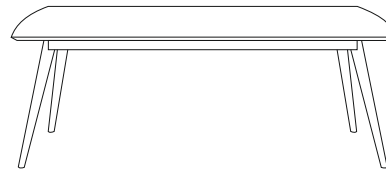
Meeting/Dining Table

RECTANGULAR



TOP - 1500x800mm
HEIGHT - 750mm
BASE -

CURVED
RECTANGULAR



TOP - 1500x800mm
HEIGHT - 750mm
BASE -

Meeting/Dining Table

RECTANGULAR



TOP - 1800x800mm
HEIGHT - 750mm
BASE -

CURVED
RECTANGULAR



TOP - 1800x800mm
HEIGHT - 750mm
BASE -

Table Finishes

Edge Details

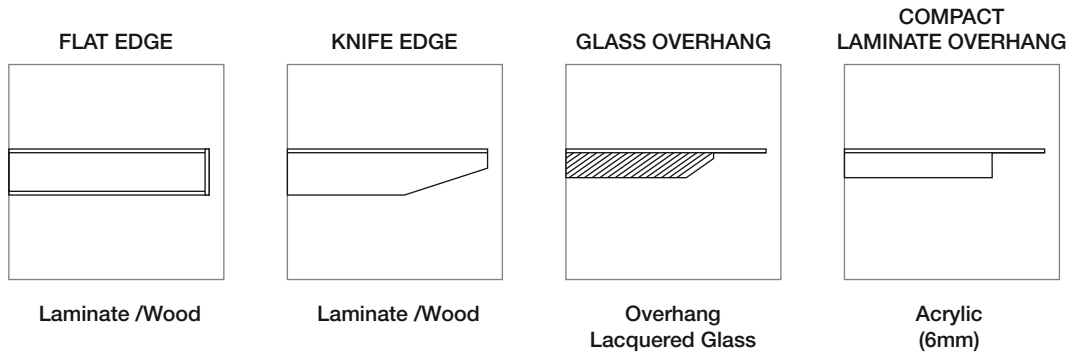
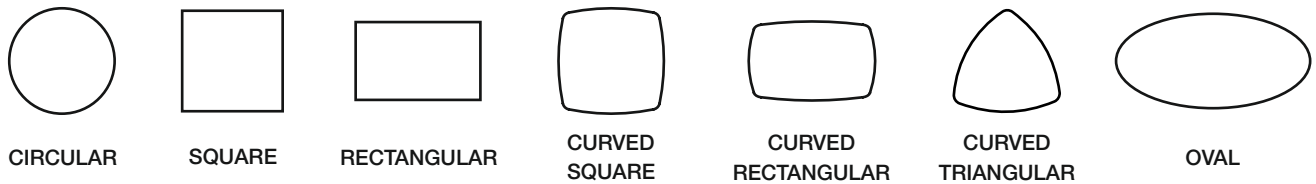


Table Top Options



Laminate



Wood / Veneer



Lacquered Glass



SWITCH

OCCASIONAL TABLES



MEETING/DINING TABLE

Standard Product Information

Tops : Veneer, Laminate, Lacquered Glass, & Acrylic.

Structural Frame : Solid Wood frame reinforced joinery.

Base : Wooden legs machines on calibrated CNC machine.



Product Information

Enhance your living room decor with this Switch Table. This table's rich and unique design lends warmth, style, and visual appeal to your transitional decor. Solid wood material ensures lasting use and beauty, and the table's bottom shelf is an ideal space for placing photographs or decorative items. Constructed from veneers and glass finish for a contemporary look. Tempered glass top for durability solid wood legs provide stability.

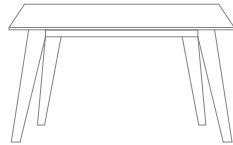
Specification

Base bent on CNC wire bending machine for accuracy, integrated with Specially designed cutting tool formation. Available in 12 Colours in MS and in Stainless Steel.

Product Range

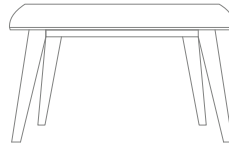
Meeting/Dining Table

RECTANGULAR



TOP - 1200x800mm
HEIGHT - 750mm
BASE - 800x400mm

CURVED
RECTANGULAR



TOP - 1200x800mm
HEIGHT - 750mm
BASE - 800x400mm

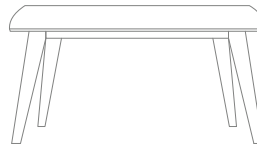
Meeting/Dining Table

RECTANGULAR



TOP - 1500x800mm
HEIGHT - 750mm
BASE - 1100x400mm

CURVED
RECTANGULAR



TOP - 1500x800mm
HEIGHT - 750mm
BASE - 1100x400mm

Meeting/Dining Table

RECTANGULAR



TOP - 1800x800mm
HEIGHT - 750mm
BASE - 1400x400mm

CURVED
RECTANGULAR



TOP - 1800x800mm
HEIGHT - 750mm
BASE - 1400x400mm

Meeting/Dining Table

RECTANGULAR



TOP - 2400x800mm
HEIGHT - 750mm
BASE - 2000x400mm

CURVED
RECTANGULAR



TOP - 2400x800mm
HEIGHT - 750mm
BASE - 2000x400mm

To match lacquered glass colours refer material catalogue.
*Tall table has thicker base plate for stability.

Table Finishes

Edge Details

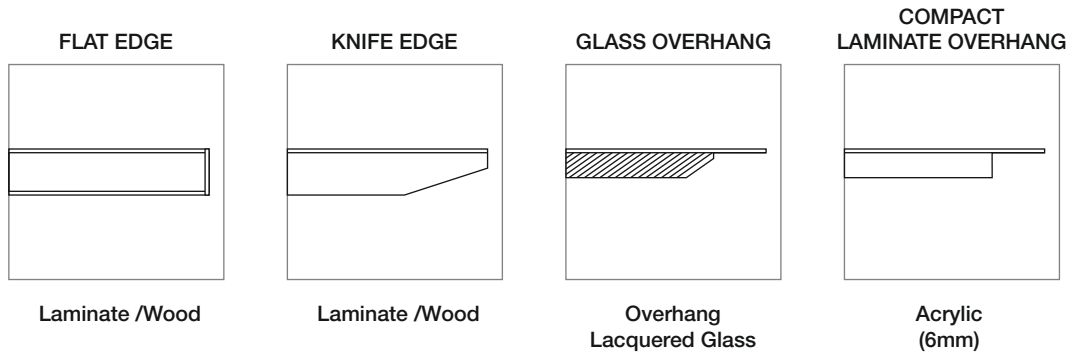
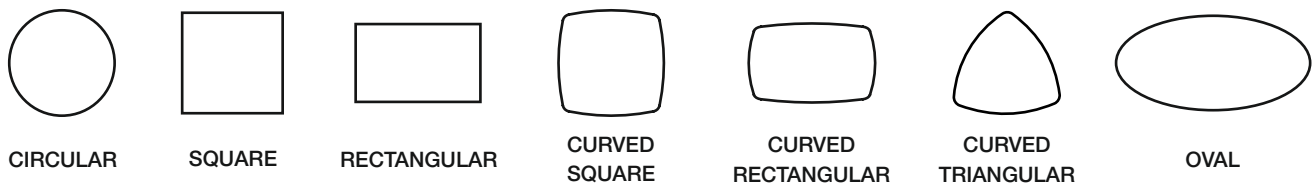


Table Top Options



Laminate



Wood / Veneer



Lacquered Glass



Shearling Skins Pvt Ltd

Plot No. 260, Sector-6
IMT Manesar
Gurgaon
Haryana-122052
Ph: +91 124 4037237
info@shearling.in

www.shearling.in